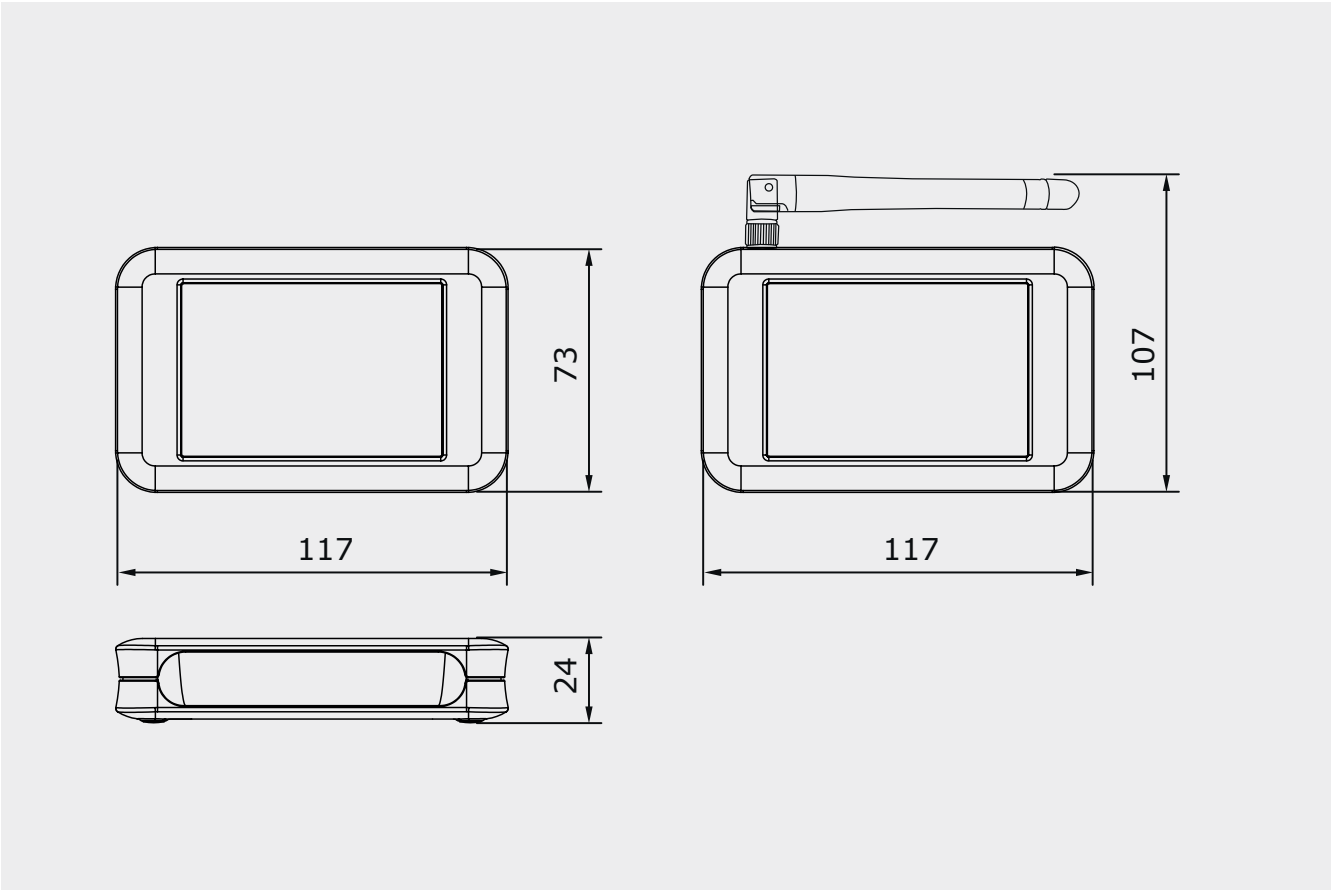


**CES OMEGA FLEX**  
Administration  
Access-Point



Ground plane antenna (optional)



## CES OMEGA FLEX Access-Point

### Technical data

Part number	342207V
Dimensions	Length: ca. 107 mm Width: ca. 117 mm Height: ca. 24 mm
Power supply	100–240 V ~, only via the power pack supplied (9 V DC)
Power consumption	Max. 1,0 W
Connection	Phonoplug 5,5 x 2.1 mm
Communication frequency:	Sending/transmitting 868 MHz
Encrypted data transmission	128 bit/AES
Network protocol:	TCP/IP
Temperature range:	0 °C to + 40 °C
RF range:	Approx. 25 m
Prohibited atmospheres:	Not suitable for use in corrosive atmospheres (chlorine, ammonia, lime water)
Service life of the Access-Point	At least 10 years

### Technical data Ground plane antenna (optional)

Part number	340202V
Dimensions Antenna	Height: approx. 230 mm Diameter: approx. 155 mm
Dimensions Mounting bracket	Length: 195 mm Width: 30 mm
Body	Aluminium
Connection	RG 58-Cable with BNC connector, Length 2,5 m
Working band	868 MHz
Impedance	50 Ω
Temperature range	-20 °C to + 80 °C
RF range	Max. 40 m
Prohibited atmospheres	Not suitable for use in corrosive atmospheres (chlorine, ammonia, lime water)
Scope of delivery	Antenna, mounting bracket, connection cable, Adaptors

### Technical data PoE version (optional)

Part number	342209V
Device class	IEEE 802.3af, Class 1
Removing power (PD)	Max. 0,44 W ... 3,84 W

### Ordering information

Quantity	Part number	Name	Special features