

CES OMEGA FLEX

Electronic handle sets

Long shield ILS



H11-0



H12-0



H13-0



H14-0



H15-0



H11-C



H12-C



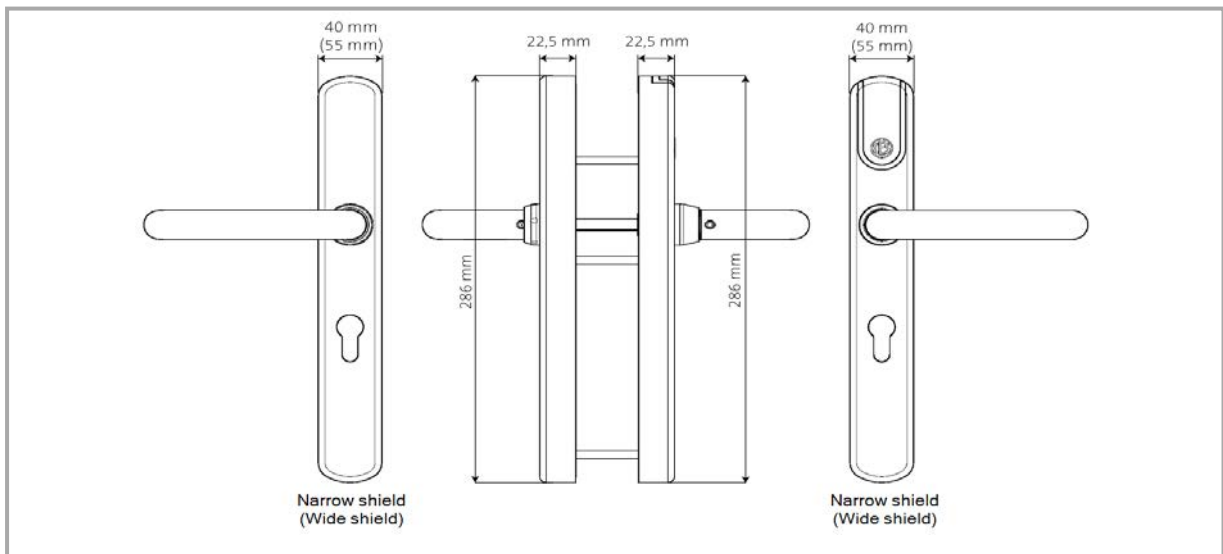
H13-C



H14-C



H15-C



CES OMEGA FLEX - Long shield ILS

Technical Data

Part numbers	ILS / x
Suitable locking media	
LEGIC	All locking media of the type LEGIC prime and LEGIC advant, all locking media to ISO 14443
MIFARE®	MIFARE® Classic® (1k/4k), MIFARE® DESFire® EV1 and EV2 (UID to ISO 14443 and application), all locking media ISO 14443 (except MIFARE Ultralight® C)
Reading range	Approx. 20 mm
Online radio frequency	868 MHz
RF range to Access-Point	Max. 25 m
Encrypted data transmission	128 bit/AES
Variants	Narrow shield for use on narrow stile doors, wide shield for use on flush doors, combinations of the two types. Narrow shield to DIN EN 1125, wide shield to DIN EN 1125 The design of the shields enables prep-free installation on replacement of most fittings prepared to DIN/EN standards.
Power supply	Battery: 2 x Energizer Ultimate Lithium 1,5V AA
Number of locking media	Max. 5.000
Number of events	Max. 2.000
Number of Master media	Max. 1 System-Master, max. 10 Program-Master, max. 10 Time-Master, max. 10 Release-Master, max. 10 Block-Master, max. 10 RF-Stick-Master, max. 100 Emergency-Keys, RF-Ini-Master unlimited, RF-Trace-Master unlimited
Outdoor shield temperature	-25 °C to +70 °C for the electronics, in weatherproof standard
Indoor shield temperature	-25 °C to +70 °C
Prohibited atmospheres	Not suitable for use in corrosive atmospheres (chlorine, ammonia, lime water)
Service life of the ILS	Conforming to DIN EN 1906, Grade 7, 200.000 cycles
Service life of the battery	Approx. 100.000 locking cycles at 20 °C
Programming	With Master media, Offline via radio with RF-Stick, CEStronics RF-NET radio network, CEStronics V-NET virtual network
Uses	Conforming to DIN EN 179 and DIN EN 1125 with different locks and panic bars
Fire resistance rating	120 minutes conforming to DIN EN 1634-1 and 18273 (T120)
Special designs	Burglar resistance, various lever handle designs, various thumb turns, mechanical ILS without electronics
Door thicknesses	From 35 mm to 165 mm
Backsets	From 25 mm
Distances	From 55 to 100
Handle square hole	9 mm
Available spindles	7 mm, 8 mm, 8,5 mm, 9 mm und 10 mm
Cylinder profile apertures	Without (00), Euro (PZ), CH (RZ), UK (OZ)
Safety classes	Optionally conformity to DIN EN 18257 ES2 or to NEN SKG***, DIN EN 1906 Grade 3
CE testing	EN 300 220-1-2; EN 300 330-1-2; EN 301 489-1, 3; EN 60950-1, EN 62311

Ordering information

Required cylinder length	22,5 mm + door thickness + 22,5 mm
--------------------------	------------------------------------

Ordering example

Article number	Multi-ID-System LEGIC and MIFARE	(V)ariant	Type	DP	HD	HT	SC	HI	CH	D	SP	DT	CR	CS
		/N, /T, /TV, /NET	N, W, O, I	Optional drilling position, short shield	Lever handle direction L, R	Lever handle type	Security class 0	Optional handle inside	Cylinder hole PB, PO, PI	Centre distance 55 ...100	Spindle 7...10	Door thickness 35 ... 165	Optional colour, reader I, B, W	Optional colour, shield
ILS		/T	N	S	L	H11- 0	0	00	PB	92	8	55	I	0