

# CES OMEGA FLEX

Electronic handle sets

Smart shield SIS



H11-0



H12-0



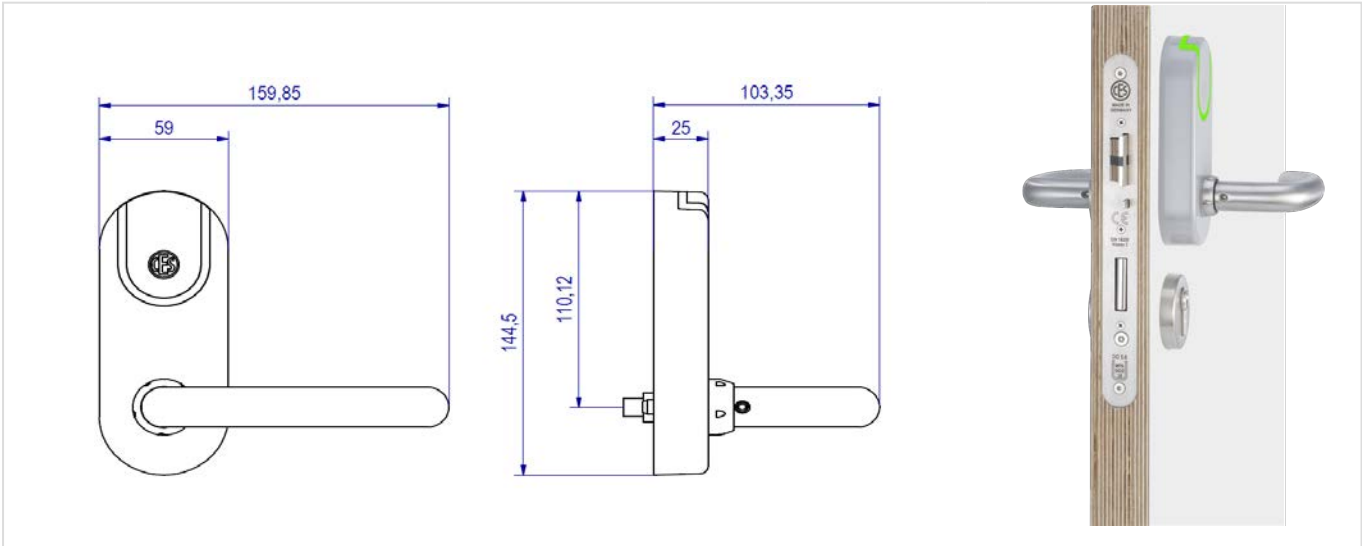
H13-0



H14-0



H15-0



## CES OMEGA FLEX - Smart shield SIS

### Technical Data

<b>Part numbers</b>	SIS / x
<b>Suitable locking media</b>	
<b>MIFARE®</b>	MIFARE® Classic® (1k/4k), MIFARE® DESFire® EV1 (UID to ISO 14443 and application), all locking media ISO 14443 (except MIFARE Ultralight® C)
<b>Reading range</b>	Approx. 20 mm
<b>Online radio frequency</b>	868 MHz
<b>RF range to Access-Point</b>	Max. 25 m
<b>Encrypted data transmission</b>	128 bit/AES
<b>Variants</b>	
	Half-set for fixing onto existing roses Full set incl. indoor rose and handle (only 8 mm spindle) Dual version with electronics on both sides
<b>Coupling follower</b>	8 mm
<b>Available spindles</b>	7 mm, 8 mm, 9 mm
<b>Door thickness</b>	35 mm...115 mm
<b>Backsets</b>	Min. 40 mm
<b>Power supply</b>	Battery: 2 x Energizer Ultimate Lithium 1,5V AAA
<b>Number of locking media</b>	Max. 5.000
<b>Number of events</b>	Max. 2.000
<b>Number of Master media</b>	Max. 1 System-Master, max. 10 Program-Master, max. 10 Time-Master, max. 10 Release-Master, max. 10 Block-Master, max. 10 RF-Stick-Master, max. 100 Emergency-Keys, RF-Ini-Master unlimited, RF-Trace-Master unlimited
<b>Temperatures at outside shield</b>	-10 °C to +70 °C bei 0...95% rH non-condensing
<b>Degree of protection</b>	IP40
<b>Prohibited atmospheres</b>	Not suitable for use in corrosive atmospheres (chlorine, ammonia, lime water)
<b>Durability of the handle set</b>	Conforming to DIN EN 1906 Grade 7, 200,000 cycles
<b>Service life of the battery</b>	Approx. 80.000 closures at 20 °C
<b>Programming</b>	With Master media, Offline via radio with RF-Stick, CESTronics RF-NET radio network; CESTronics V-NET virtual network
<b>RAL colors of the handle sets</b>	White: RAL 9003, black: RAL 9005, grey: RAL 7004
<b>Classification</b>	DIN EN 1906:2012-12   4   7   --   B   1   3   0   B
<b>Fire resistance rating</b>	T120 conforming to DIN EN 1634-1 (only with fire resistant indoor handle set and 9 mm spindle e.g. Hoppe FS-E138/42H/42HS)
<b>CE testing</b>	EN 300 220-1-2; EN 300 330-1-2; EN 301 489-1, 3; EN 60950-1, EN 62311

### Ordering example

Article number	ID-System MIFARE	V(ariant)	Type	HD	HT	SP	DT	CS
		/N, /T, /TV, /NET	SO, HI, HR, DS	Lever handle direction L, R	Lever handle type	Spindle 7,8,9	Door thickness 35 ... 115	Colour shield B,W,G
SIS		/T	SO	L	H11-0	8	55	B