

CES OMEGA FLEX

Electronic handle sets

Security Long Shield ILS SKG*** (ES2)



H11-0



H12-0



H13-0



H14-0



H15-0



H11-C



H12-C



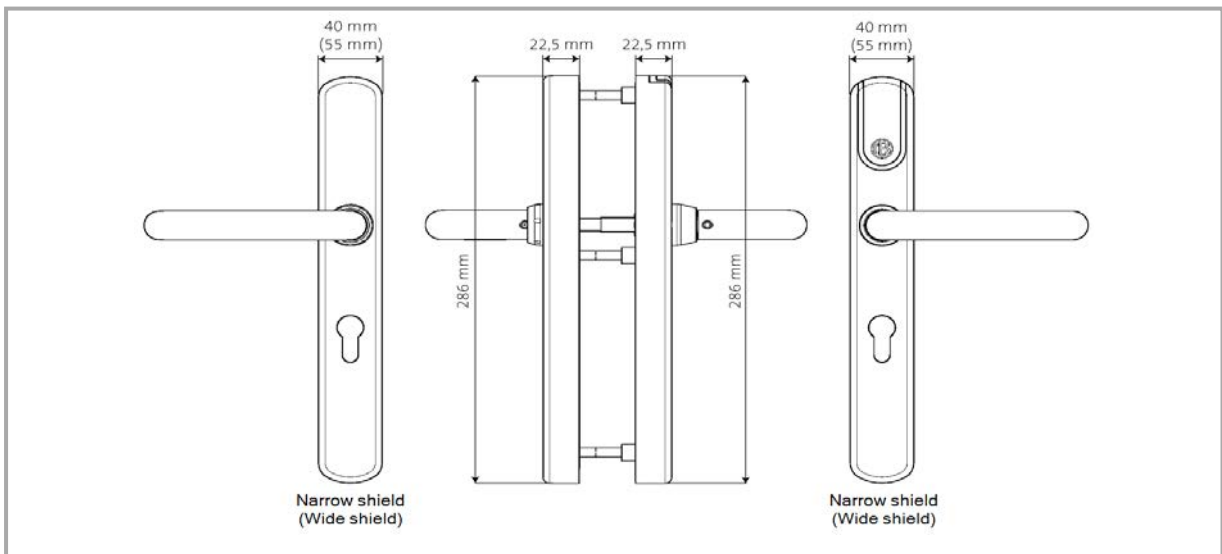
H13-C



H14-C



H15-C



CES OMEGA FLEX - Security Long Shield ILS SKG*** (ES2)

Technical Data

Part numbers	ILS / SKG*** (ES2)													
Suitable locking media														
	LEGIC	All locking media of the type LEGIC prime and LEGIC advant, all locking media to ISO 14443												
	MIFARE®	MIFARE® Classic® (1k/4k), MIFARE® DESFire® EV1 and EV2 (UID to ISO 14443 and application), all locking media ISO 14443 (except MIFARE Ultralight® C)												
Reading range	Approx. 20 mm													
Online radio frequency	868 MHz													
RF range to Access-Point	Max. 25 m													
Encrypted data transmission	128 bit/AES													
Variants														
Narrow shield for use on narrow stile doors, wide shield for use on flush doors, combinations of the two types.														
Power supply	Battery: 2 x Energizer Ultimate Lithium 1,5V AA													
Number of locking media	Max. 5.000													
Number of events	Max. 2.000													
Number of Master media	Max. 1 System-Master, max. 10 Program-Master, max. 10 Time-Master, max. 10 Release-Master, max. 10 Block-Master, max. 10 RF-Stick-Master, max. 100 Emergency-Keys, RF-Ini-Master unlimited, RF-Trace-Master unlimited													
Outdoor shield temperature	-25 °C to +70 °C for the electronics, in weatherproof standard													
Indoor shield temperature	-25 °C to +70 °C													
Prohibited atmospheres	Not suitable for use in corrosive atmospheres (chlorine, ammonia, lime water)													
Service life of the ILS	Conforming to DIN EN 1906, Grade 7, 200.000 cycles													
Service life of the battery	Approx. 100.000 locking cycles at 20 °C													
Programming	With Master media, Offline via radio with RF-Stick, CESTronics RF-NET radio network, CESTronics V-NET virtual network													
Fire resistance rating	120 minutes conforming to DIN EN 1634-1 and 18273 (T120)													
Special designs	Various lever handle designs, various thumb turns													
Door thicknesses	From 35 mm to 165 mm													
Backsets	From 25 mm													
Distances	72, 74, 92, 94													
Handle square hole	9 mm													
Available spindles	7 mm, 8 mm, 8,5 mm, 9 mm und 10 mm													
Cylinder profile apertures	Euro (PZ), CH (RZ), UK (OZ)													
Safety classes														
NEN 5089:2009 SKG*** DIN EN 18257 ES2-L														
CE testing														
EN 300 220-1-2; EN 300 330-1-2; EN 301 489-1, 3; EN 60950-1, EN 62311														
Ordering information														
Required cylinder length														
22,5 mm + door thickness + 22,5 mm														
Ordering example														
Article number	Multi-ID-System	(V)ariant	Type	HD	HT	SC	HI	CH	D	SP	DT	CR	CS	
	LEGIC and MIFARE	/N, /T, /TV, /NET	N, W, O, I	Lever handle direction L, R	Lever handle type	Security class 1,2	Optional handle inside	Cylinder hole PB, PO, PI	Centre distance 72...94	Spindle 7...10	Door thickness 35 ... 165	Optional colour, reader I, B, W	Optional colour, shield	
ILS		/T	N	L	H11-0	2	00	PB	92	8	55	I	0	