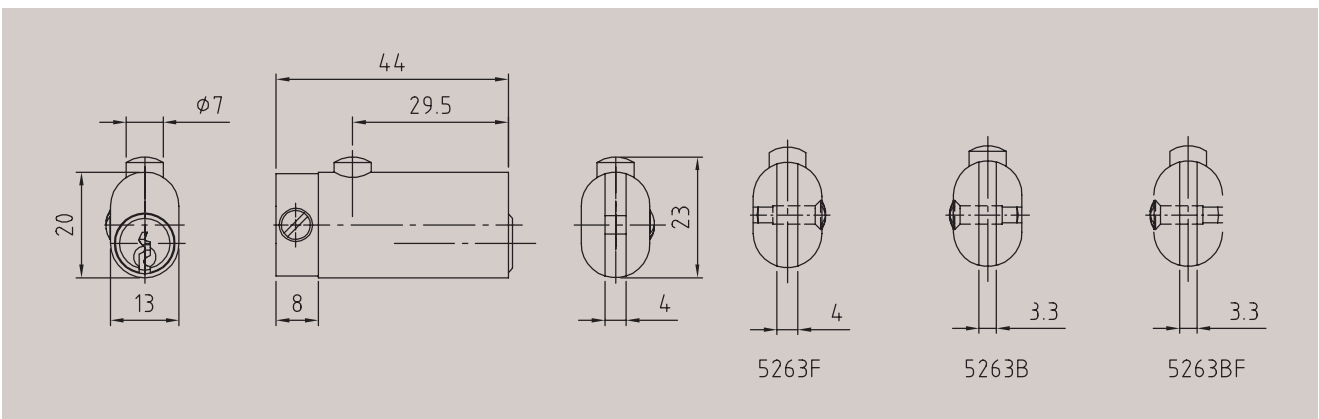


Article 5263 Central locking device



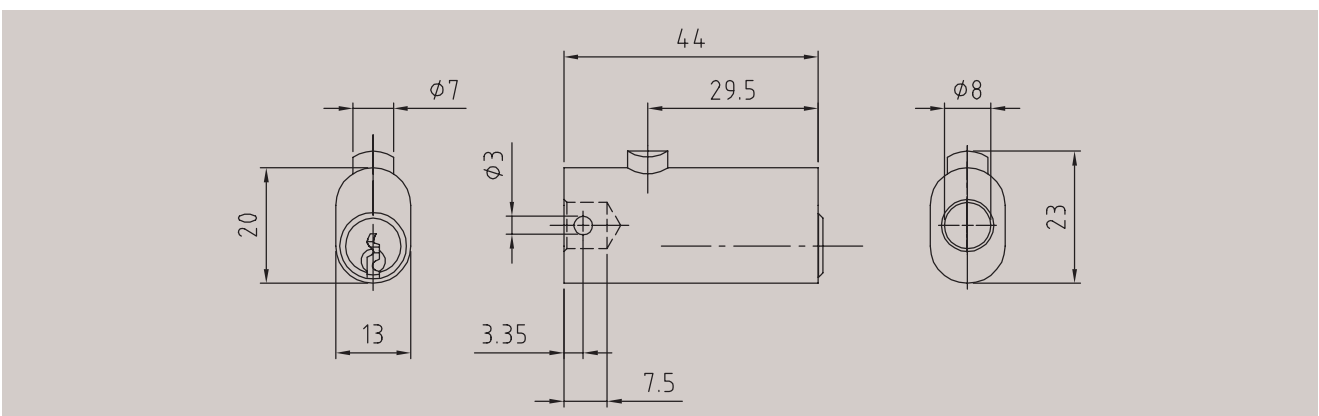
Technical data	
Material	Brass
Finish	Brass, satin nickel-plated
Pin tumblers	5
Keys in series / locking system	2 / 2
Function	Locking pin is retracted by clockwise or counter-clockwise rotation of the key.
Order specifications	F= Slot width 4mm, flat dead bolt. B= Slot width 3.3mm, dome-shaped dead bolt. BF= Slot width 3.3mm, flat dead bolt.



Article 5263F/30 Central locking device



Technical data	
Material	Brass
Finish	Brass, satin nickel-plated
Pin tumblers	5
Keys in series / locking system	2 / 2
Function	Locking pin is retracted by clockwise or counter-clockwise rotation of the key.

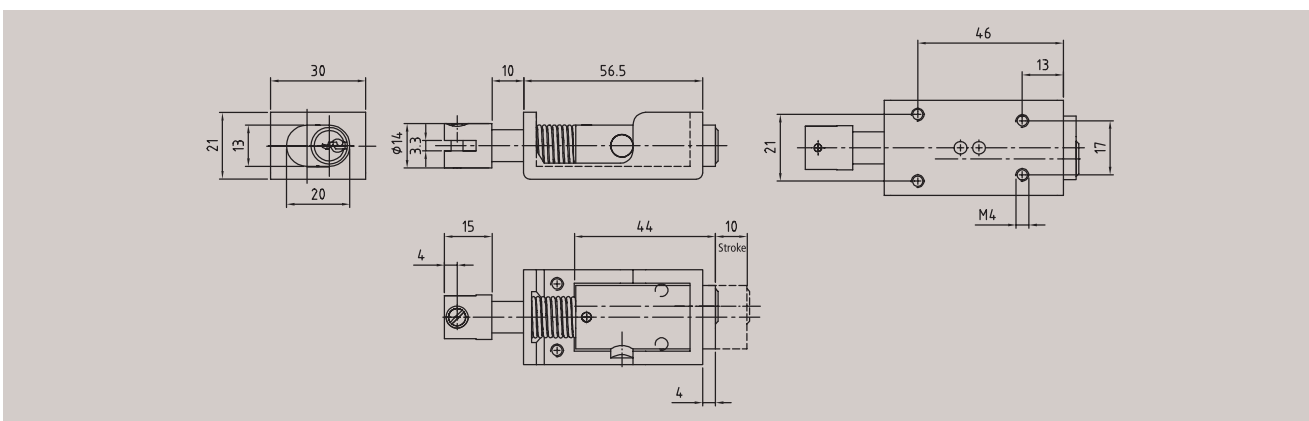
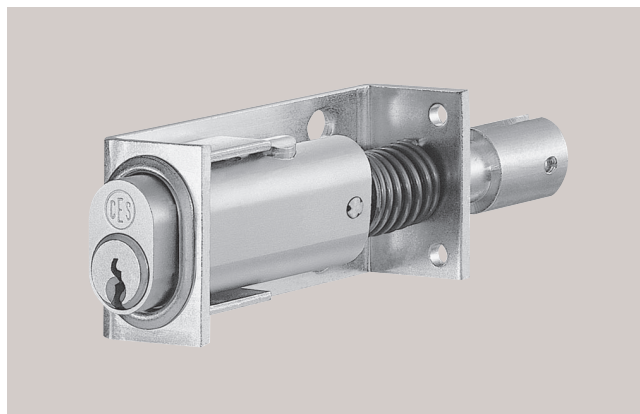


Central locking devices

Article 5263BF/34 Central locking device

Technical data

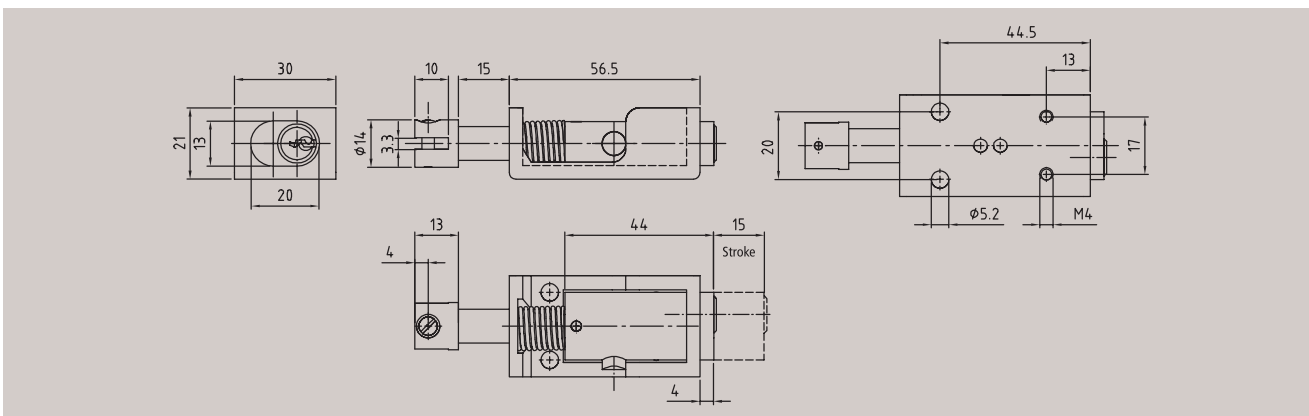
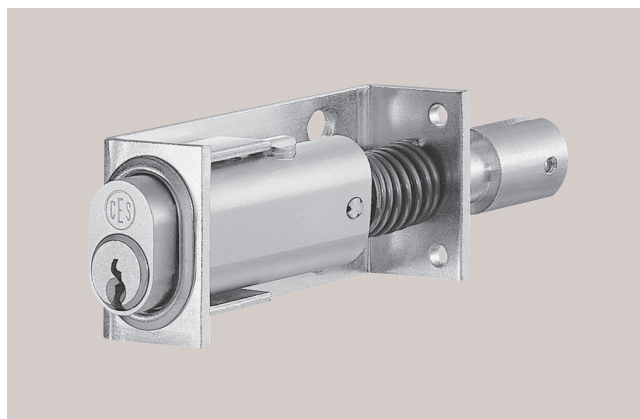
Material	Brass
Finish	Brass, satin nickel-plated
Pin tumblers	5
Keys in series / locking system	2 / 2
Function	Locking pin is retracted by clockwise or counter-clockwise rotation of the key.



Article 5263BF/40 Central locking device

Technical data

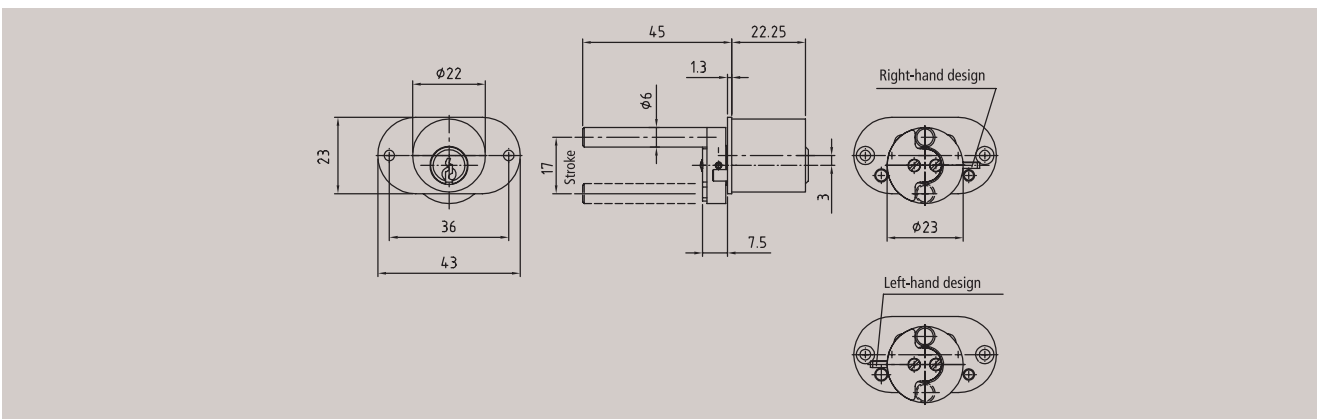
Material	Brass
Finish	Brass, satin nickel-plated
Pin tumblers	5
Keys in series / locking system	2 / 2
Function	Locking pin is retracted by clockwise or counter-clockwise rotation of the key.



Article 5772 Central locking device



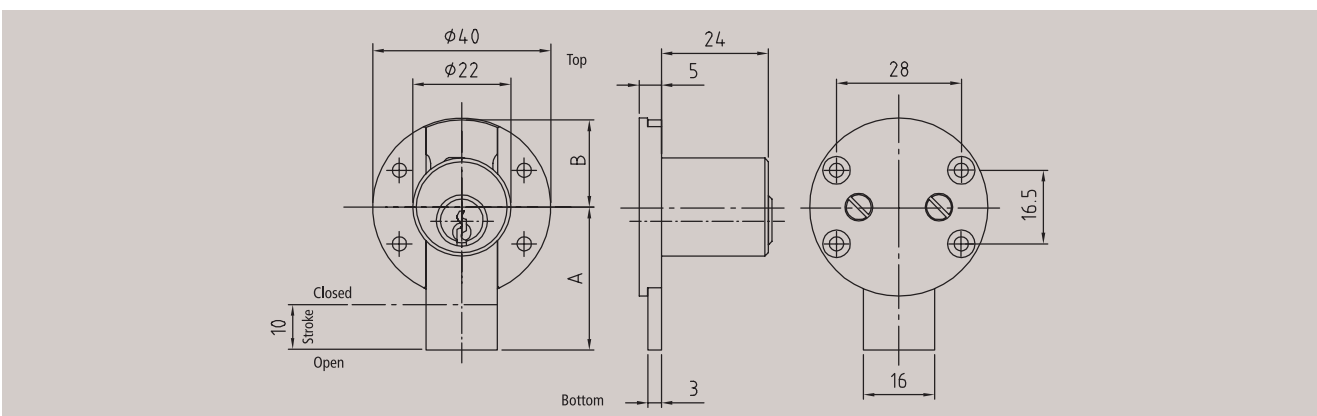
Technical data	
Material	Brass
Finish	Brass, satin nickel-plated
Pin tumblers	5
Keys in series / locking system	2 / 2
Function	Key rotation: 360°. Cam lever rotation: 180°.
Accessories	Escutcheon
Order specifications	Please indicate LH or RH with order.



Article 5775 Central locking device



Technical data	
Material	Brass
Finish	Brass, satin nickel-plated
Pin tumblers	5
Keys in series / locking system	2 / 2
Function	Key rotation: 360°. Stroke: 10mm.
Accessories	Escutcheon. Rod length: 600 mm, other lengths upon request.

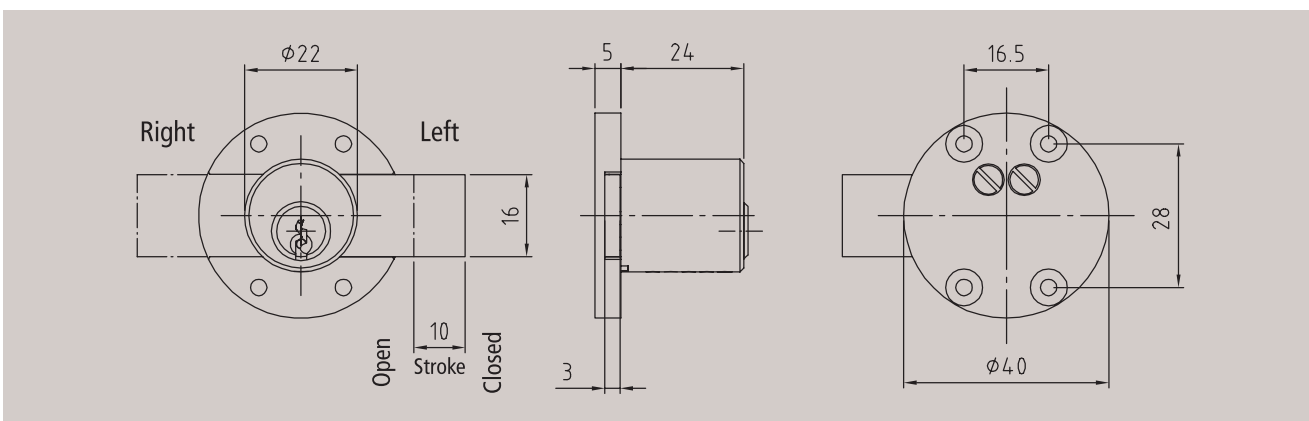


Central locking devices

Article 5776 Central locking device

Technical data

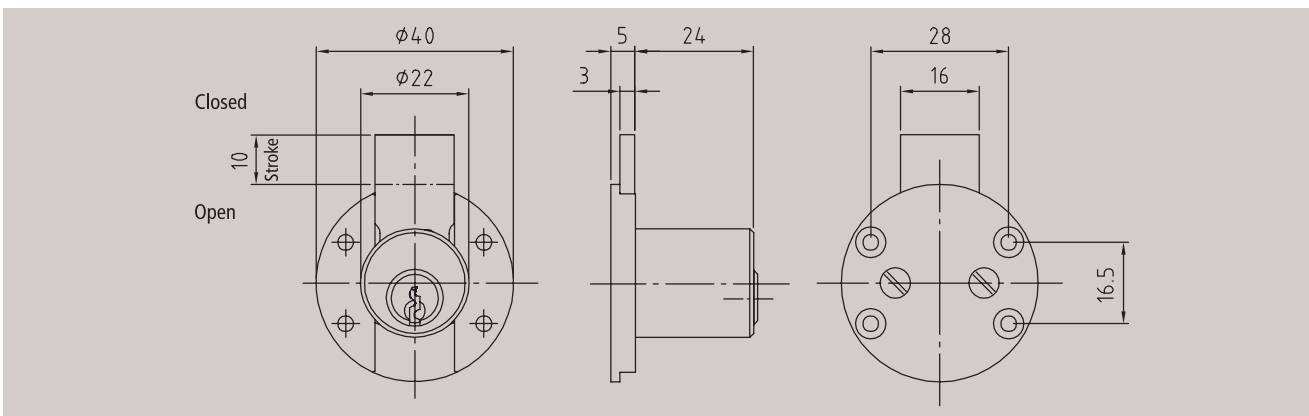
Material	Brass
Finish	Brass, satin nickel-plated
Pin tumblers	5
Keys in series / locking system	2 / 2
Function	Key rotation: 360°. Stroke: 10mm.
Accessories	Escutcheon
Order specifications	Please indicate LH or RH with order.



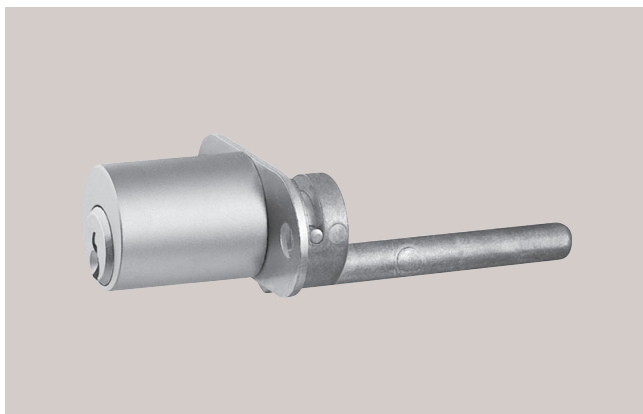
Article 5776/30 Central locking device

Technical data

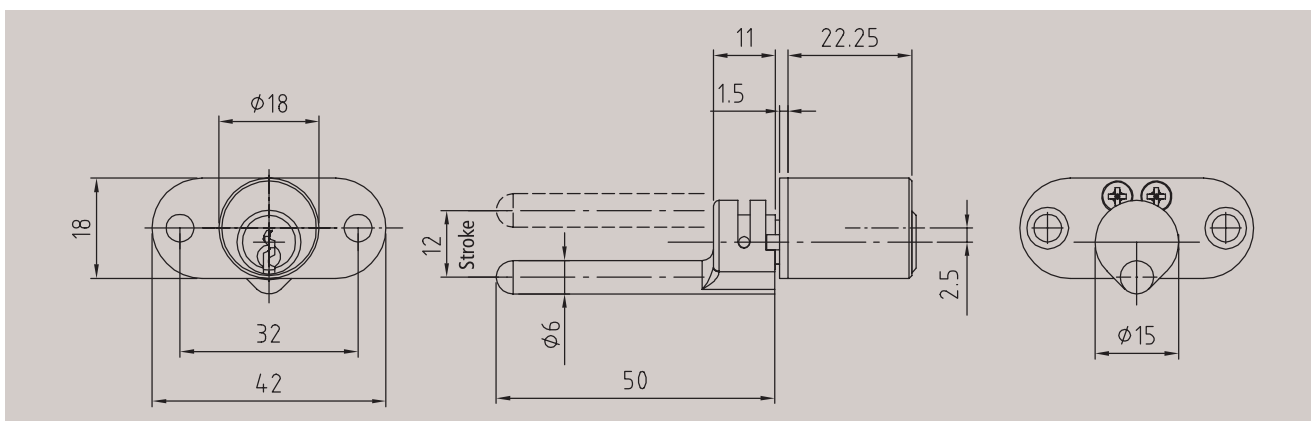
Material	Brass
Finish	Brass, satin nickel-plated
Pin tumblers	5
Keys in series / locking system	2 / 2
Function	Key rotation: 360°. Drawer. Stroke: 10mm.
Accessories	Escutcheon



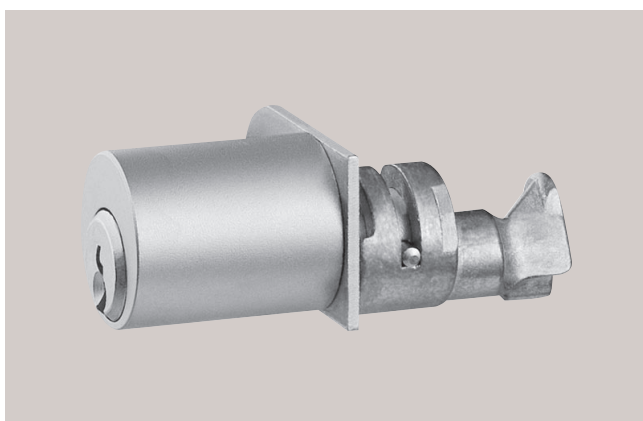
Article 5856/42 Central locking device



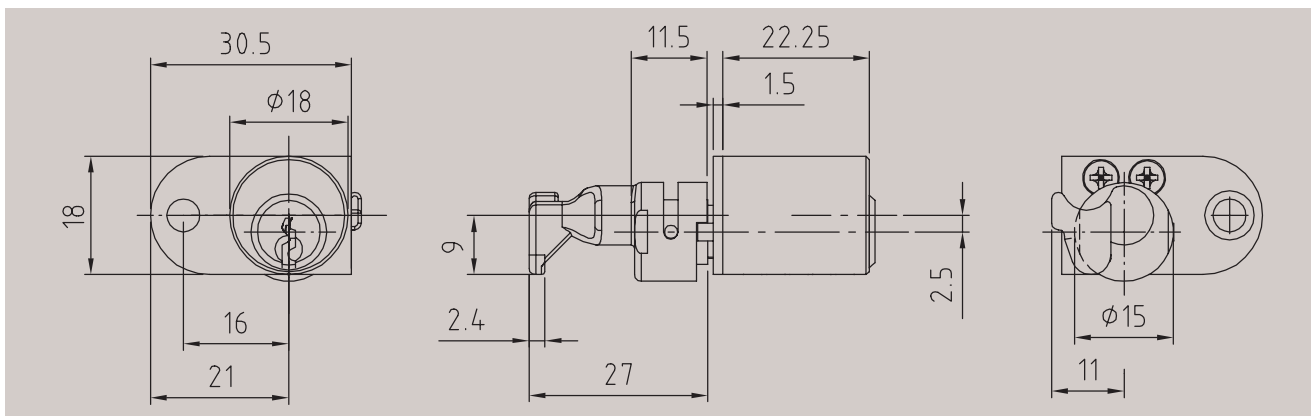
Technical data	
Material	Brass
Finish	Brass, satin nickel-plated
Pin tumblers	5
Keys in series / locking system	2 / 2
Function	Key rotation: 360°. Follower rotation: 180°.
Accessories	Escutcheon



Article 5856/43 Central locking device



Technical data	
Material	Brass
Finish	Brass, satin nickel-plated
Pin tumblers	5
Keys in series / locking system	2 / 2
Function	Key rotation: 360°. Follower rotation: 180°.
Accessories	Escutcheon

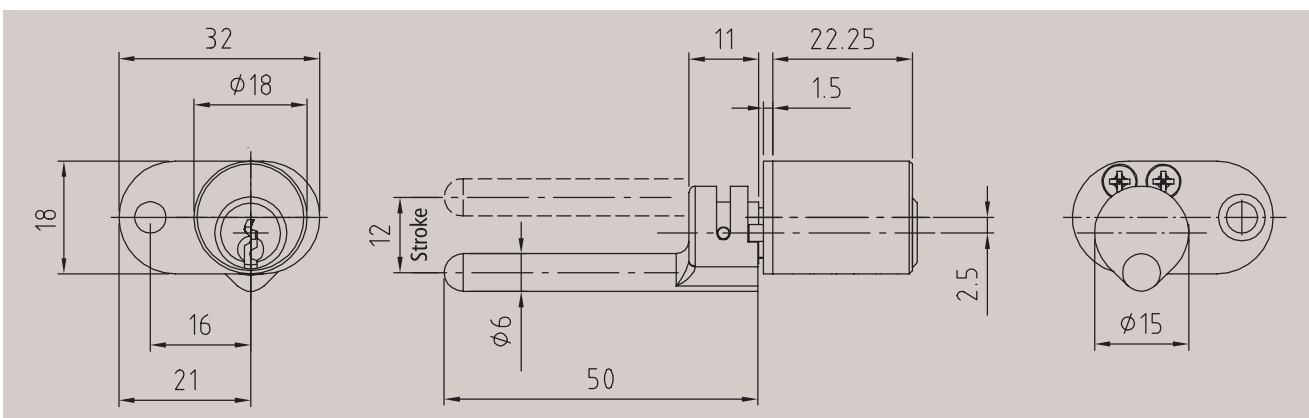
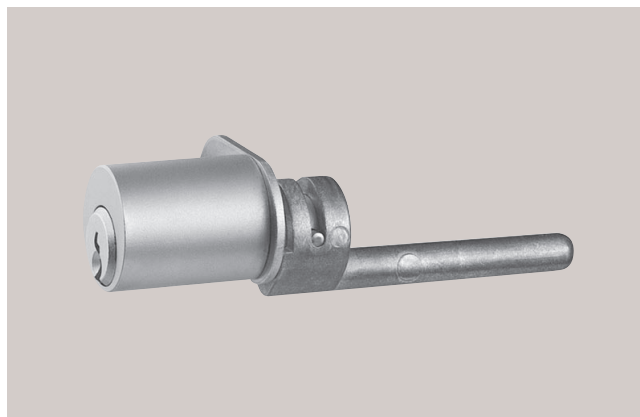


Central locking devices

Article 5856/44 Central locking device

Technical data

Material	Brass
Finish	Brass, satin nickel-plated
Pin tumblers	5
Keys in series / locking system	2 / 2
Function	Key rotation: 360°. Follower rotation: 180°.
Accessories	Escutcheon



Article 5856/46 Central locking device

Technical data

Material	Brass
Finish	Brass, satin nickel-plated
Pin tumblers	5
Keys in series / locking system	2 / 2
Function	Key rotation: 360°. Follower rotation: 180°.
Accessories	Escutcheon

