

CES OMEGA FLEX

ILS-I internal door handle set

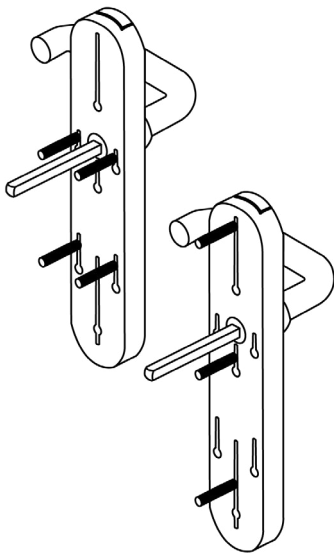


Easy to retrofit, this proven design offers high flexibility

Doors that were previously mechanically locked can be easily upgraded with the new ILS-I internal door fitting. The replacement handle set covers different hole patterns and spacings for rosette and long shield handles on solid doors. No additional holes are required and the counter handle provided by the customer can still be used.

Replace rosette and long shield handles quickly, simply and securely

When replacing handle sets on existing doors, it is often difficult to use the existing holes for the new handle set. The ILS-I internal handle set features slotted holes that allow variable positioning of the mounting bolts. This wide shield fitting thus covers the hole patterns of almost all long shield and rosette handle sets (55-92 mm).



The ILS-I internal door handle set is suitable for replacing or upgrading existing old, mechanical handle sets on solid doors (door thickness 35-119 mm). You can select the counter handle of your choice (not included). Available with the following square spindle dimensions: 7 – 8 – 8.5 – 9 – 10

Versions

Reader unit: black or silver

Compatibility



LEGIC prime
LEGIC advant
compliant with
ISO 14443 and ISO 15693



MIFARE® DESFire®EV1/2
MIFARE Classic®



Surface finish

Brushed stainless steel
or polished brass.
With or without holes for Euro profile
cylinders.

Battery replacement

Batteries (2x1,5V, Energizer Ultimate Lithium) are easy to replace from the outer side of the door.

