

CEsentry electronic handle set
Narrow Shield EB11xx*



Access side

Reverse side



FSB1070



FSB1070G



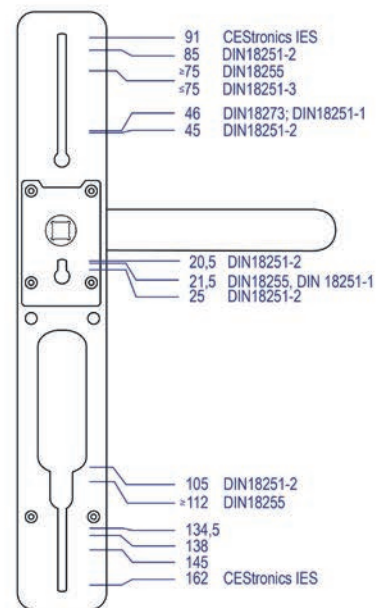
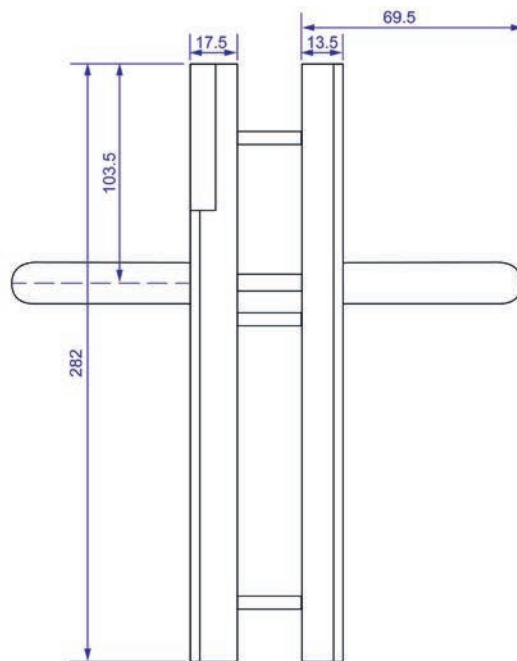
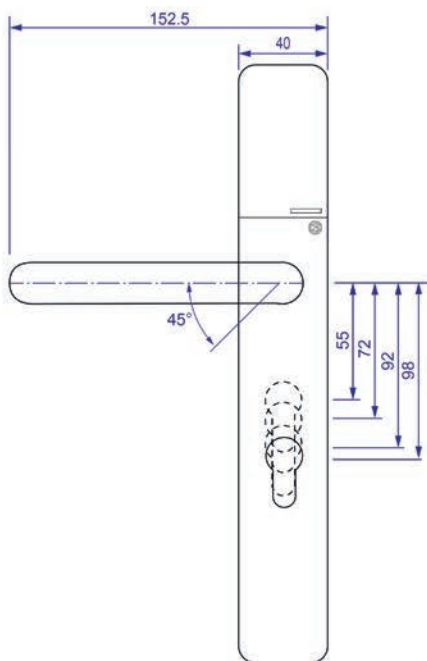
FSB1053



FSB1053G



FSB1076



*Full article designation dependent on version

All dimensions in mm

Technical data

Article designation	EB1100 EB1110 EB1120 EB1130 EB1150 EB1160 EB1170 EB1180		
Use	Narrow shield for framed doors. The design of the handle sets enables drill-free mounting when replacing most handle sets designed to DIN/EN standards. Conforms to DIN EN 179 and DIN EN 1125 with different locks and panic push bars.		
Versions	Art.-no.	Product version	abZ
	EB1100	Access side narrow with reader	✓
	EB1110	Access side narrow with reader, reverse side narrow (mechanical)	✓
	EB1120	Access side narrow with reader, reverse side wide (mechanical)	✓
	EB1130	Access and reverse sides narrow with reader (dual version)	✓
	EB1150	Reverse side only, narrow (mechanical)	×
	EB1160	Access and reverse sides narrow (mechanical)	×
	EB1170	Access side narrow with reader (EH*), reverse side narrow (mechanical)	✓
EB1180	Access side narrow with reader (EH*), reverse side wide (mechanical)	✓	
Fire resistance rating	For devices with national technical approval (abZ): 120 minutes as per DIN EN 1634-1 and DIN EN 18273		
Finishes	Special finishes as per CES range		
Dimensions			
Door thicknesses	From 35 mm to 165 mm		
Backsets	From 25 mm		
Spacings	From 55 mm to 98 mm		
Handle square hole	7 mm – 8 mm – 8.5 mm – 9 mm – 10 mm		
Cylinder profile apertures	None, Euro profile, Swiss round profile, UK oval		
Ambient conditions and service life			
Protection class	IP54		
Outside shield temperature	-25°C to +65°C at 0-95% rH non-condensing for the electronics		
Inside shield temperature	-25°C to +65°C		
Prohibited atmospheres	Not suitable for use in corrosive atmospheres (chlorine, ammonia, lime water)		
Handle set service life	200,000 cycles in accordance with DIN EN 16867, grade 7		
Power/voltage supply			
Batteries	2x 1.5 V AA (type: Energizer Ultimate Lithium)		
Battery life*	Max. number of opening/closing operations per battery: up to 100,000		
Data retention	Date and time: min. 15 minutes Authorisations and other settings: unlimited		
RTC precision	Approx. 1 minute per year within temperature range -20°C to +60°C		
Supported standards			
Reading	LEGIC advant / MIFARE® DESFire®		
Data transfer	Bluetooth® Low Energy		
Online radio frequency	2.4 GHz IEEE 802.15.4		
Reading distance	Up to 20 mm		
Interfaces	OSS-SO		

Technical data [cont.]

Certificates

Classification	DIN EN 16867:2022-02 4 7 -- B 1 4 D 0/2** 0/3**
Protection class	Optionally to DIN EN 16867 ES2 or to NEN SKG***

Programming

Offline	Via Bluetooth® Low Energy with CESentry Desktop-Writer Via Bluetooth® Low Energy with smartphone (iOS/Android)
Online	Online network via Bluetooth® Low Energy with gateway (in preparation)
Data transfer	Encrypted 128-bit/AES

Memory

Number of events	Max. 2,000
Number of locking media	Max. 5,000

*This information is valid for an ambient temperature of 20°C. Different temperatures, the type of use and locking device parameter settings may result in strongly divergent values.

**In preparation