

Wall terminals

WT-EB wall terminals



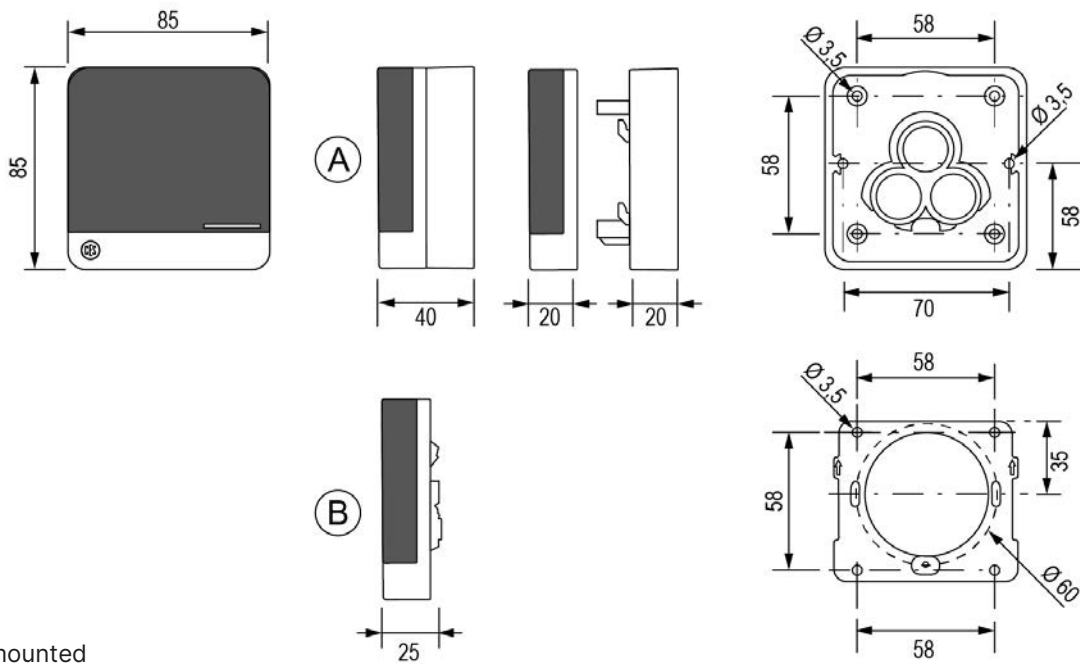
WT-I

Reader and controller in one housing



WT-II

Reader and controller in separate housings
(flush-mounted and surface-mounted)



A = Surface-mounted

B = Flush-mounted

All dimensions in mm

Technical data

Article designation	EBWT-I / EBWT-II
Versions	Surface-mounted or flush-mounted wall terminal
Use	Can be used as offline wall terminal or as Update-Terminal
Usable housings	CES standard housing, weatherproof housing (IP55), GIRA Esprit Glass switch range, Telecom Behnke Series 20, Siedle Vario BM-611 Other housing types are available, including from: Busch-Jäger, Elcom, Merten, Jung, others on request
Technical data	
Protection class	IP54
Temperature range	-25°C to +65°C at 0 to 95% rH non-condensing
Prohibited atmospheres	Not suitable for use in corrosive atmospheres (chlorine, ammonia, lime water)
Connection points (as plug-in screw terminals)	1x input for potential-free contacts 1x connection from controller to reader (RS485 interface) 1x connection to controller (RS485 interface) 2x relays - as normally-open, normally-closed or changeover 1x power supply
Relay switching capacity	30 V DC, 2 A
Opening duration	2 to 180 seconds, optionally adjustable (standard: 10 seconds)
Operating voltage	12-24 V DC
Power consumption	EBWT-I: 3 W EBWT-II: 5 W
CE testing	DIN EN 300 220-1, 2; DIN EN 300 330-1, 2; DIN EN 300328; DIN EN 301 489-1, 3; DIN EN 62368-1; DIN EN 62311
Suitable locking media	
LEGIC	All LEGIC advant type locking media
MIFARE®	MIFARE® DESFire®
OSS	Compatible with OSS-SO standard with LEGIC advant and MIFARE DESFire
Smartphone (iOS/Android)	Bluetooth® Low Energy
Reading range	Approx. 30 mm
Programming	
Programming	Offline with master media Offline via Bluetooth® Low Energy with smartphone (iOS/Android) Online network via Bluetooth® Low Energy with gateway (in preparation)
Online radio frequency	2.4 GHz IEEE 802.15.4
Encrypted data transfer	128 bit/AES
Memory	
Number of events	Max. 2,000
Number of locking media	Max. 5,000