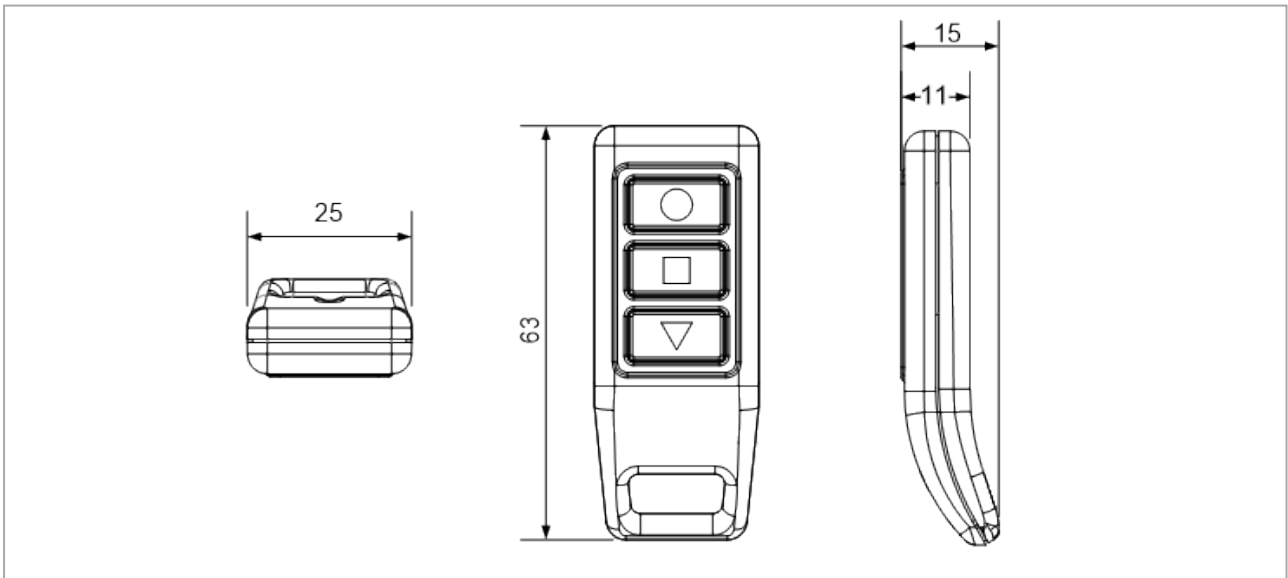
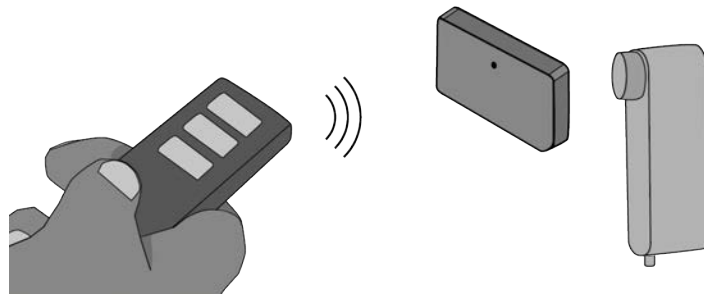


CESeasy

Remote control



CESeasy - Remote control

Technical data

CESeasy remote control	
Article number	347103V
Dimensions	63 mm x 25 mm x 11/15 mm
Material	ABS
Power supply	
Batteries	1 x exchangeable CR1632 lithium battery. The battery is already inserted.
RF-Transceiver	
RF-Transceiver	868 MHz
Encryption	AES128
Buttons and functions	
Buttons and functions	3 buttons (functions can be programmed via the CESeasy web platform)
Compatibility	
Devices	Compatible with CESeasy motor cylinders and door controllers
Tests and certificates	
CE label	NEN EN 300330-02, NEN EN 301489-03