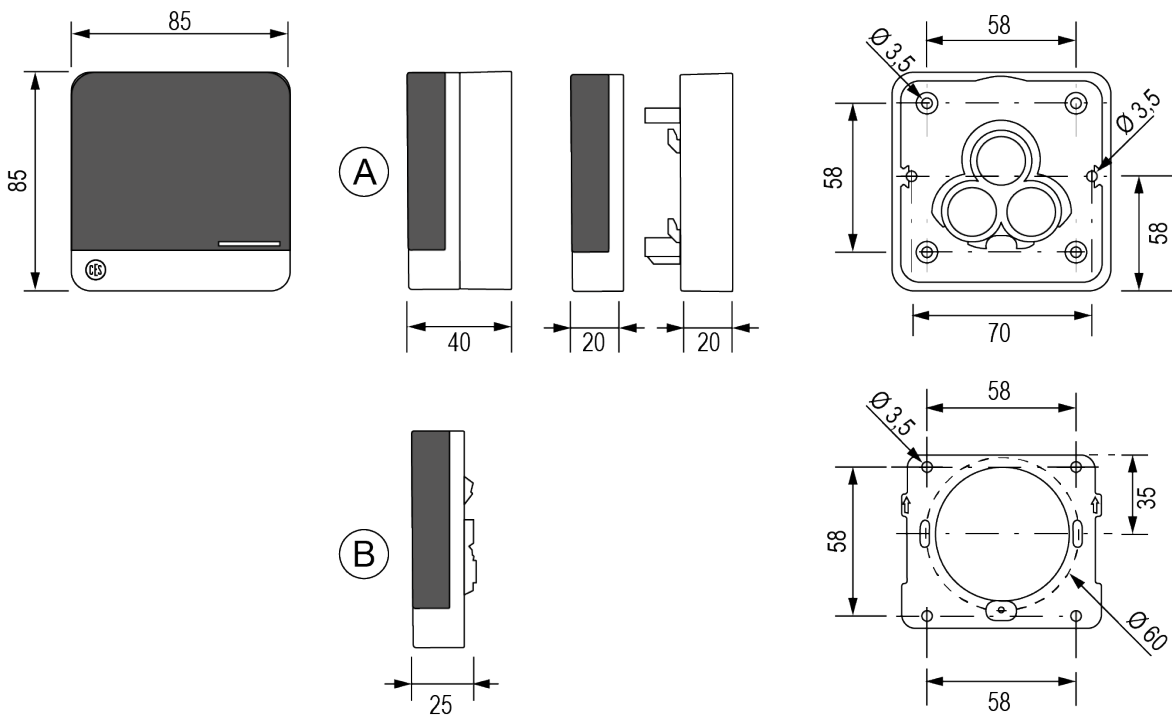


## CES AccessOne

Wall terminals

Reader/updater



A = Surface-mounted  
B = Flush-mounted

All dimensions in mm

## CES AccessOne – Reader/updater

### Technical data

<b>Article designation</b>	Reader/updater (art. no. WT-U-AO; flush-mounting = standard; surface-mounting = standard for surface mounting)
<b>Suitable locking media</b> (LEGIC and MIFARE)	MIFARE® Classic® (1k/4k), MIFARE® DESFire® EV2 (UID compliant with ISO 14443 and application), all ISO 14443 locking media (not MIFARE Ultralight® C) LEGIC prime, LEGIC advant in version ISO 14443A and ISO 15693
<b>Reading range</b>	Approximately 30 mm
<b>Online radio frequency</b>	868 MHz
<b>Encrypted data transmission</b>	128 bit/AES
<b>Number of events</b>	Max. 2,000
<b>Opening duration</b>	2 to 180 seconds, adjustable (optional) (standard: 10 seconds)
<b>Temperature range</b>	-25 °C to +70 °C at 0...95% rH non-condensing
<b>Prohibited atmospheres</b>	Not suitable for use in corrosive atmospheres (chlorine, ammonia, lime water)
<b>Connection points (as screw terminals)</b>	1x potential-free contact 1x power supply 1x relay, normally open 1x relay, changeover contact 1x connection to TSG8/TSG1 (RS485 interface)
<b>Relay switching capacity</b>	1.8 A; 30 V DC
<b>Line length</b>	Connection of reader and controller: Max. 20 m with cable type J-Y(St)-Y 2 x 2 x 0.6 mm (or larger than 0.6 mm)
<b>Operating voltage</b>	12-24 V AC/DC
<b>Power consumption</b>	3 W
<b>Usable housing</b>	CES standard housing (surface-mounted, weatherproof IP55), Mertens, Gira, Busch-Jäger, Behnke Telecom, Siedle Vario. Others on request.
<b>CE approval</b>	EN 300 220-1, 2; EN 300 330-1, 2; EN 301 489-1, 3; EN 60950-1, EN 62311

### Ordering information

Quantity	Article number	Variant	Housing	Designation