

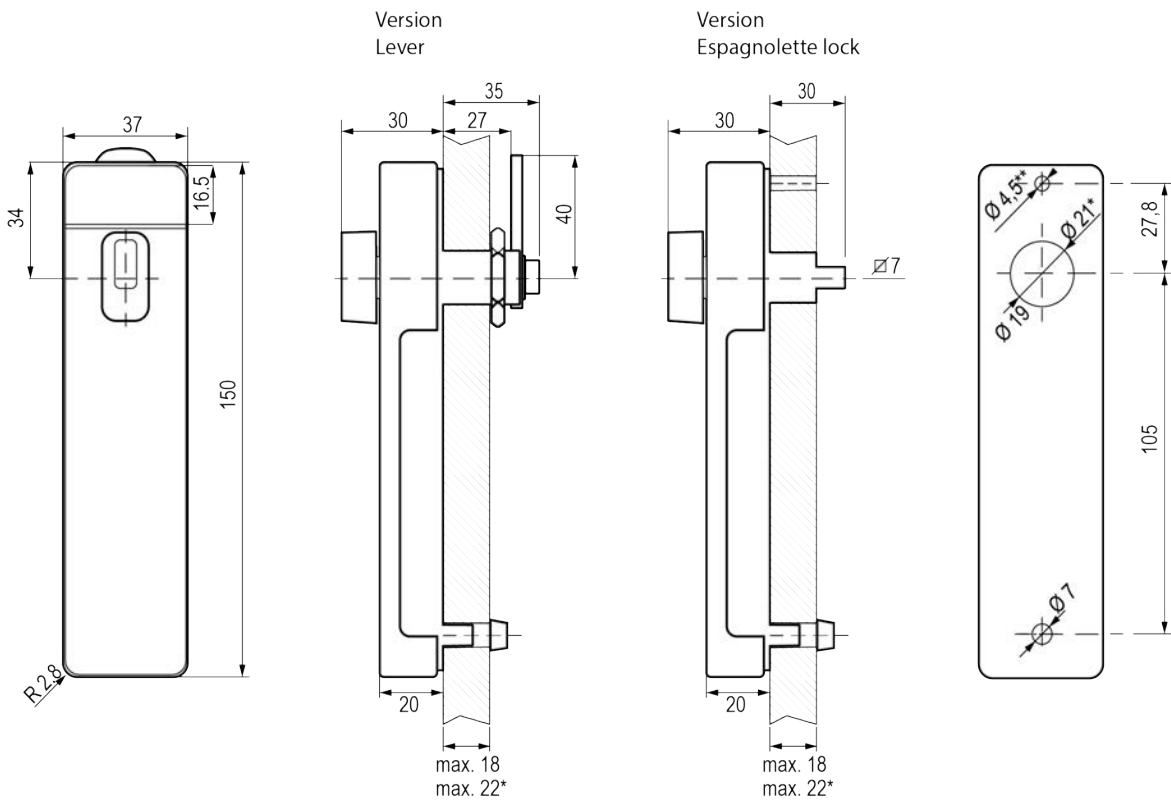
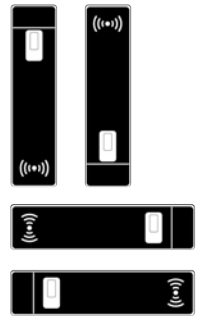
CES OMEGA FLEX

RFID furniture lock

F4180



Installation positions:



All dimensions in mm

* If step nut is used

** Espagnolette lock only

CES OMEGA FLEX – RFID furniture lock

Equipment features

Article number	F4180/ x
Suitable locking media	
LEGIC	All locking media of type LEGIC prime and LEGIC advant, all ISO 14443 locking media
MIFARE®	MIFARE® Classic® (1k/4k), MIFARE® DESFire® EV2 (UID conforming to ISO 14443 and application), all ISO 14443 locking media (not MIFARE Ultralight® C)
OSS	Compatible with OSS-SO standard with LEGIC advant and MIFARE DESFire
Reading range	Approximately 20 mm
Online radio frequency	868 MHz
RF range to Access-Point	Max. 25 m
Encrypted data transmission	128 bit/AES
Variants	
	Lever: Version with various levers to suit cabinet lock with different locking strokes Square spindle: Version with square spindle for cabinet locks with espagnolette lock
Operating modes	
	All-Open Any medium of the associated master key system that is authorised on the device can open and lock the furniture lock. One-Open (the standard setting) Each authorised medium of the associated master key system can lock one or more furniture locks. Unlike the ‘All-Open’ mode, however, only the exact same medium can then open the cabinet again.
Connection values	Configured battery pack; 3 V; with 2x AAA Energizer Ultimate Lithium batteries
Number of locking media	Max. 5.000
Number of events	Max. 2.000
Number of master media	Max. 1 System-Master, max. 10 Program-Masters, max. 10 Time-Masters, max. 10 Release-Masters, max. 10 Block-Masters, max. 10 RF-Stick-Masters, max. 100 Emergency-Keys, unlimited RF-Ini-Masters, unlimited RF-Trace-Masters
Temperature range	0°C to +60°C
Protection class	In secured indoor areas, IP40
Prohibited atmospheres	Not suitable for use in corrosive atmospheres (chlorine, ammonia, lime water)
Programming	Using master media, offline via radio with RF-Stick; CEStronics RF-NET radio network; CEStronics V-NET virtual network
CE testing	EN 50364; EN 62479; EN 62368-1; EN 62369-1; EN 300 330; EN 300 220-1,2; EN 301 489-1,3

Ordering example

Article number	ID-System MIFARE Legic	V(ariant)	Type	ERSP	Lever Variant	CS
		T /TV /NET OSS: OSL / OSD	Variants Lever / Espagnolette	Event storage yes / no	Standard	Colour shield B,W
F4180		/TV	Lever	yes	Standard	B