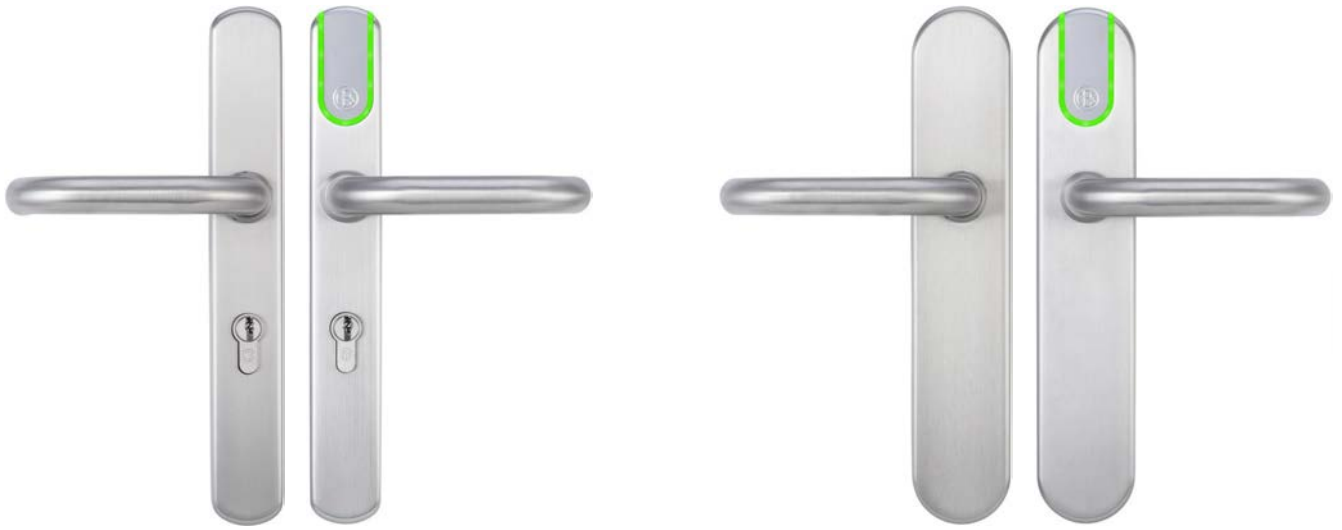


# CES OMEGA FLEX

Electronic handle sets

Long shield ILS



H11-0



H12-0



H13-0



H14-0



H15-0



H11-C



H12-C



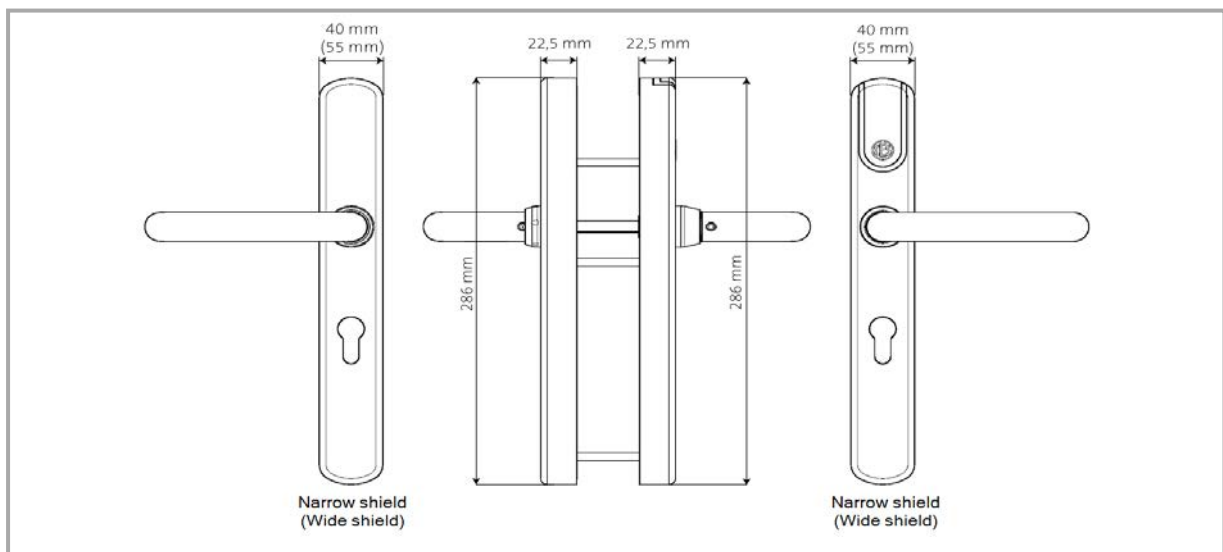
H13-C



H14-C



H15-C



# CES OMEGA FLEX - Long shield ILS

## Technical Data

<b>Article number</b>	ILS / x
<b>Suitable locking media</b>	
<b>LEGIC</b>	All locking media of type LEGIC prime and LEGIC advant, all locking media ISO 14443
<b>MIFARE</b>	MIFARE® Classic® (1k/4k), MIFARE® DESFire® EV1 and EV2 (UID conforming to ISO 14443 and application), all ISO 14443 locking media (not MIFARE Ultralight® C)
<b>Reading range</b>	Ca. 20 mm
<b>Programming</b>	
<b>Programming</b>	Offline with Master-Medi Offline via radio with RF-Stick Wireless online network CEStronics V-NET virtual network
<b>Number of master media</b>	Max. 1: System-Master Max 10: 10 Program-Master, Time-Master, Release-Master, Block-Master, RF-Stick-Master Max. 100: Emergency-Key Unlimited: RF-Ini-Master, RF-Trace-Master
<b>Online radio frequency</b>	868 MHz
<b>Radio range to Access-Point</b>	Max. 25 m
<b>Encrypted data transmission</b>	128 bit/AES
<b>Storage</b>	
<b>Number of locking media</b>	Max. 5.000
<b>Number of events</b>	Max. 5.000
<b>Ordering information</b>	
<b>Required cylinder lenght</b>	22.5 mm + door thickness + 22,5 mm

<b>Type</b>	
<b>Variants</b>	Narrow shield for use on narrow stile doors, wide shield for use on flush doors, combinations of the two types. Narrow shield to DIN EN 1125, wide shield to DIN EN 1125 The design of the shields enables prep-free installation on replacement of most fittings prepared to DIN/EN standards.
<b>Special designs</b>	Burglar resistance, various lever handle designs, various thumb turns, mechanical ILS without electronics
<b>Outdoor shield temperature</b>	-25 °C to +70 °C for the electronics, standard design weatherproof
<b>Indoor shield temperature</b>	-25 °C to +70 °C
<b>Prohibited atmospheres</b>	Not suitable for use in corrosive atmospheres (chlorine, ammonia, lime water)
<b>Service life of the ILS</b>	Conforming to DIN EN 1906, Grade 7, 200.000 cycles
<b>Connection values</b>	Battery: 2 x Energizer Ultimate Lithium 1,5V AA
<b>Uses</b>	Conforming to DIN EN 179 and DIN EN 1125 with different locks and panic bars
<b>Fire resistance rating</b>	120 minutes conforming to DIN EN 1634-1 and 18273 (T120)
<b>Door thickness</b>	From 35 mm to 165 mm
<b>Backsets</b>	From 25 mm
<b>Distances</b>	From 55 to 100
<b>Handle square hole</b>	9 mm
<b>Available spindles</b>	7 mm, 8 mm, 8.5 mm, 9 mm and 10 mm
<b>Cylinder profile apertures</b>	Without (00), Euro (PZ), CH (RZ), UK (OZ)
<b>Classification</b>	DIN EN 1906:2012-12   4   7   --   B   0   3   0/3   B
<b>Safety class</b>	Optionally conformity to DIN EN 18257 ES2 or to NEN SKG***
<b>CE testing</b>	EN 300 220-1-2; EN 300 330-1-2; EN 301 489-1, 3; EN 60950-1, EN 62311