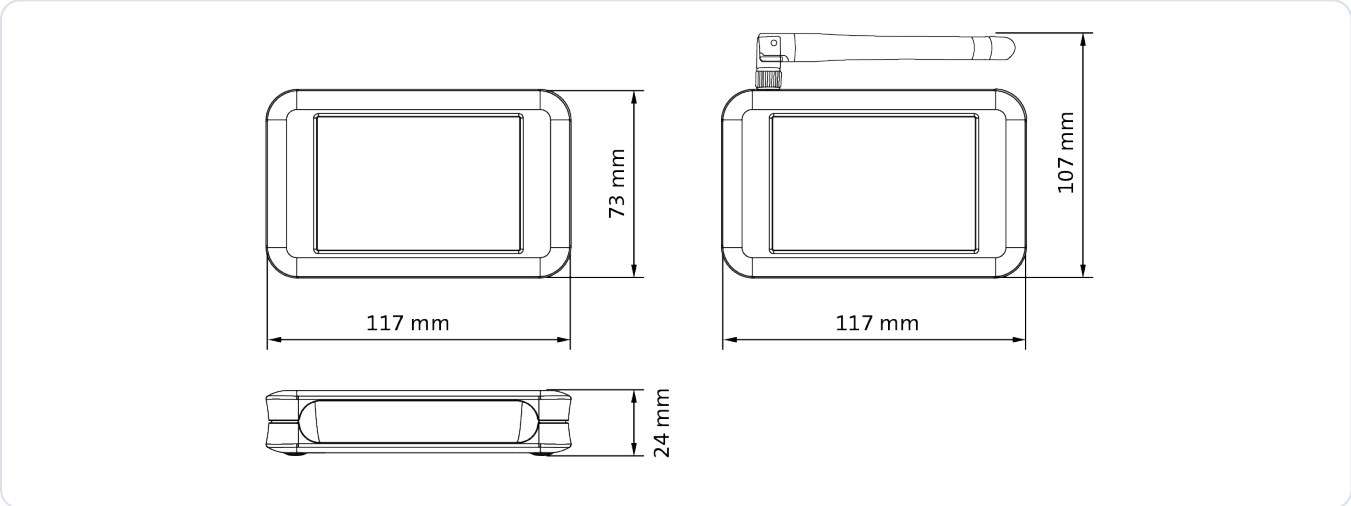


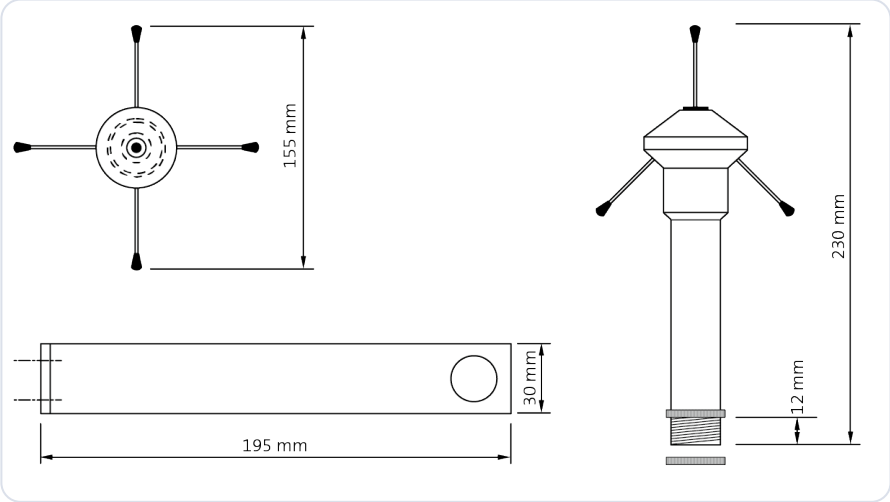
# CES OMEGA FLEX

Administration devices

Access-Point / Access-Point PoE



## Optional: Ground plane antenna



## CES OMEGA FLEX - Access-Point

### Technical Data

#### Access-Point

Article number	342207V
Power supply	100–240 V ~, only with the power supply unit provided (9 V DC)
Power consumption	Max. 1.0 W
Connection	Jack plug 5.5 x 2.1 mm
Frequency of communication	Send/receive 868 MHz
Encrypted data transmission	128 bit/AES
Network protocol	TCP/IP
Temperature range	0 °C to + 40 °C
Permissible humidity	Max. 95% rH, non-condensing
Radio range	Max. 25 m
Ambient conditions	Not suitable for use in corrosive atmospheres (chlorine, ammonia, lime water)
Useful life of the Access-Point	At least 10 years

#### Access-Point PoE

Article number	342209V
Standard	IEEE 802.3af, class 1
Power consumption (PD)	Max. 0.44 W ... 3.84 W

#### Ground plane antenna

Article number	340202V
Antenna body	Aluminum
Connection	RG 58 cable with BNC connector, length 2.5 m
Frequency range	868 MHz
Impedance	50 Ω
Temperature range	-20°C to + 80°C
Radio range	Max. 40 m
Ambient conditions	Not suitable for use in corrosive atmospheres (chlorine, ammonia, lime water)

#### Ordering information

Quantity	Article number	Name	Special feature

#### Radio ranges

Device	Maximum range
Access-Point	25 m
Access-Point with ground plane antenna	40 m