

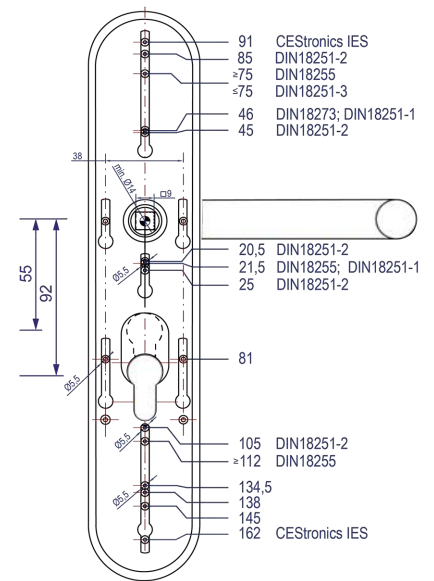
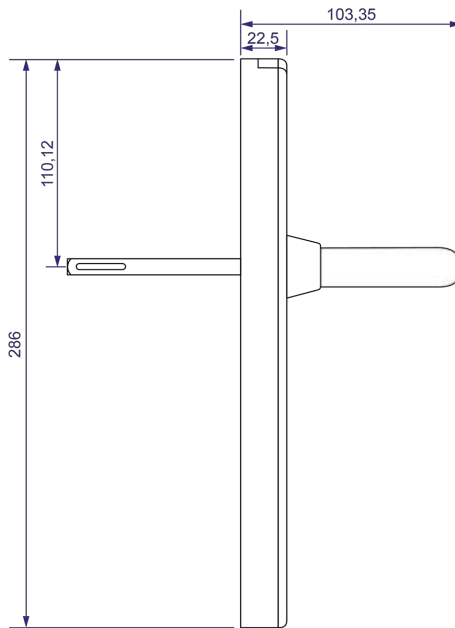
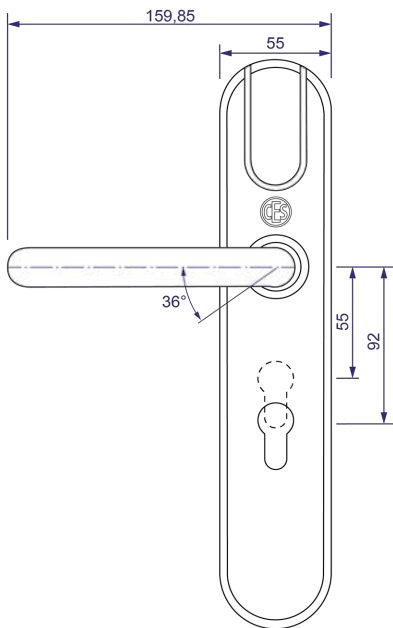
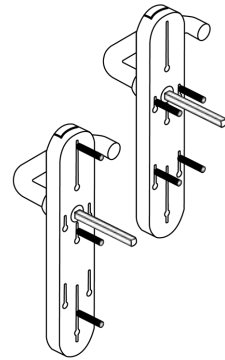
CES OMEGA FLEX

Electronic handle set

Renovation handle set, suitable for interior doors



Suitable for rosette holes or long shield holes



All dimensions in mm.

CES OMEGA FLEX - Renovation handle set

Technical data

Description	Half-set for mounting on existing fittings
Article number	ILS-I / x
Coupling follower	8 mm, 9 mm
Available spindles	7 mm/ 8 mm/ 8,5 mm/ 9 mm/ 10 mm
Door thickness	40 mm...119 mm
Backsets	Min. 40 mm
Distances	55 mm...92 mm
Suitable locking media	
LEGIC	All locking media of type LEGIC prime and LEGIC advant, all locking media ISO 14443
MIFARE®	MIFARE® Classic® (1k/4k), MIFARE® DESFire® EV2 (UID conforming to ISO 14443 and application), all ISO 14443 locking media (not MIFARE Ultralight® C)
OSS	Compatible with the OSS-SO standard with access rights on the locking medium (Access On Card).
Reading range	ca. 20 mm
Online radio frequency	868 MHz
RF range to Access-Point	Max. 25 m
Encrypted data transmission	128 bit/AES
Power supply	Battery: 2 pcs. Energizer Ultimate Lithium 1,5V AA
Number of locking media	Max. 5.000
Number of events	Max. 2.000
Number of Master media	Max. 1 System-Master, max. 10 Program-Master, max. 10 Time-Master, max. 10 Release-Master, max. 10 Block-Master, max. 10 RF-Stick-Master, max. 100 Emergency-Keys, RF-Ini-Master unlimited, RF-Trace-Master unlimited
Temperatures at outside shield	0°C to +65°C
Degree of protection	In protected indoor area, IP40
Prohibited atmospheres	Not suitable for use in corrosive atmospheres (chlorine, ammonia, lime water)
Durability of the handle sets	According to DIN EN 1906 class 7, 200,000 cycles
Programming	With master media, Offline via radio with RF stick; CEStronics RF-NET radio network; CEStronics V-NET virtual network
RAL colors of the handle sets	black: RAL 9011, Silver: RAL 9006
Classification	DIN EN 1906:2012-12 4 7 -- 0 1 1 0 B
Fire resistance rating	T90 with ILS-I counter fitting (Art.-Nr. 343417V) The inner set must be ordered separately with 9 mm square.
CE testing	EN 300 220-1-2; EN 300 330-1-2; EN 301 489-1, 3; EN 60950-1, EN 62311

Ordering example

Art.-number	ID-System LEGIC and MIFARE	V(ariant) /T, /TV, /NET	HT	HD	CS	CR	DT	CH	D	SP
			Lever handle version	Lever handle position L/R	Opt. Handle set finish 0/1	Opt. Reader finish B/W/S	Door thickness 35... 119 mm	Cylinder-hole PB/PO/PI	Distance 55 ... 92 mm	Square spindle 7/8/ 8,5/9/10
ILS-I		/T	H11-0	L	0	B	55	PB	92	8

Battery consumption

Actuation profile ILS-I	Battery lifetime*
Standby without access	up to 5 years
Standby and up to 10 accesses per day	up to 4 years
Max. number of closures per battery pack	up to 70.000

*The specifications are valid at 20 °C. Deviating temperatures, the type of use and the parameterisation of the locking devices can lead to strongly deviating values.