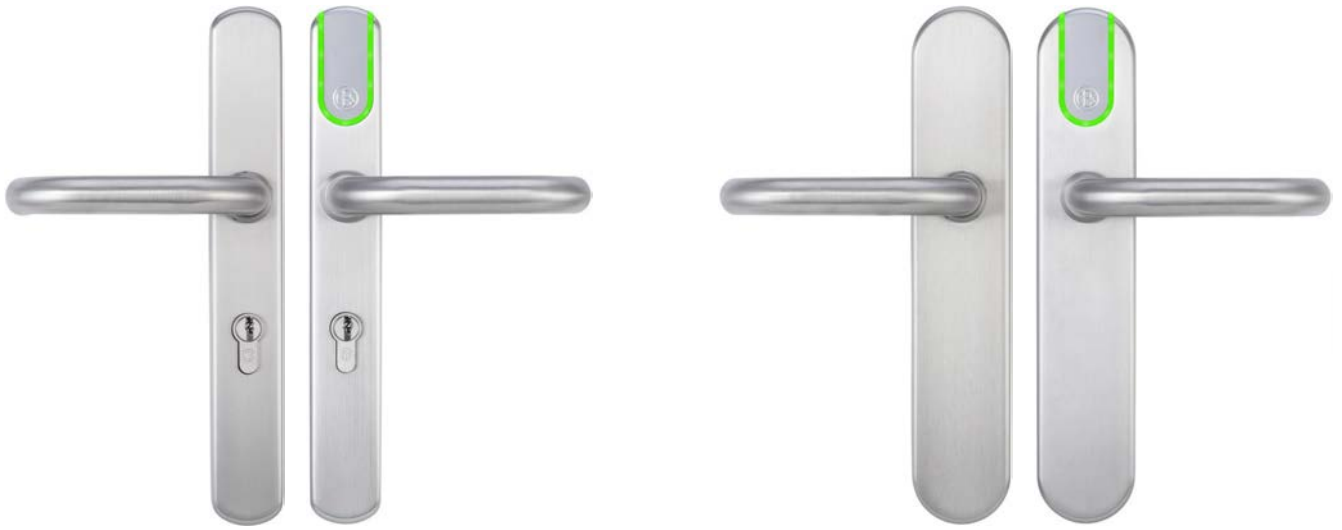


CES OMEGA FLEX

Electronic handle sets

Long shield ILS



H11-0



H12-0



H13-0



H14-0



H15-0



H11-C



H12-C



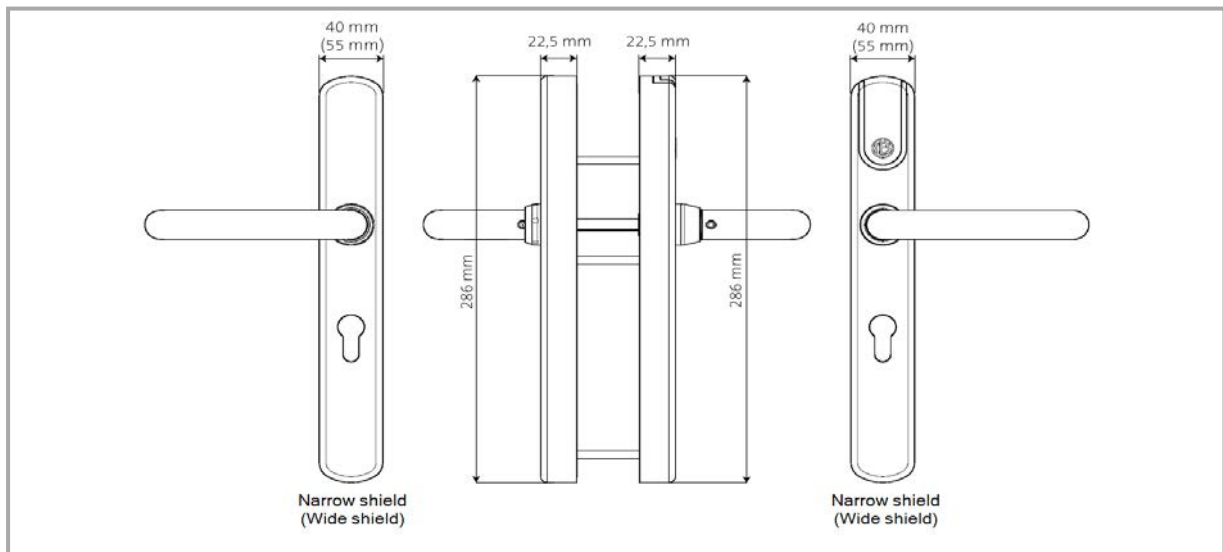
H13-C



H14-C



H15-C



CES OMEGA FLEX - Long shield ILS

Technical Data

Article number	ILS / x
Suitable locking media	
LEGIC	All locking media of type LEGIC prime and LEGIC advant, all locking media ISO 14443
MIFARE	MIFARE® Classic® (1k/4k), MIFARE® DESFire® EV1 and EV2 (UID conforming to ISO 14443 and application), all ISO 14443 locking media (not MIFARE Ultralight® C)
Reading range	Ca. 20 mm
Programming	
Programming	Offline with Master-Medi Offline via radio with RF-Stick Wireless online network CEStronics V-NET virtual network
Number of master media	Max. 1: System-Master Max 10: 10 Program-Master, Time-Master, Release-Master, Block-Master, RF-Stick-Master Max. 100: Emergency-Key Unlimited: RF-Ini-Master, RF-Trace-Master
Online radio frequency	868 MHz
Radio range to Access-Point	Max. 25 m
Encrypted data transmission	128 bit/AES
Storage	
Number of locking media	Max. 5.000
Number of events	Max. 5.000
Ordering information	
Required cylinder length	22.5 mm + door thickness + 22,5 mm

Type	
Variants	Narrow shield for use on narrow stile doors, wide shield for use on flush doors, combinations of the two types. Narrow shield to DIN EN 1125, wide shield to DIN EN 1125 The design of the shields enables prep-free installation on replacement of most fittings prepared to DIN/EN standards.
Special designs	Burglar resistance, various lever handle designs, various thumb turns, mechanical ILS without electronics
Outdoor shield temperature	-25 °C to +65 °C for the electronics, standard design weatherproof
Indoor shield temperature	-25 °C to +65 °C
Prohibited atmospheres	Not suitable for use in corrosive atmospheres (chlorine, ammonia, lime water)
Service life of the ILS	Conforming to DIN EN 1906, Grade 7, 200.000 cycles
Connection values	Battery: 2 x Energizer Ultimate Lithium 1,5V AA
Uses	Conforming to DIN EN 179 and DIN EN 1125 with different locks and panic bars
Fire resistance rating	120 minutes conforming to DIN EN 1634-1 and 18273 (T120)
Door thickness	From 35 mm to 165 mm
Backsets	From 25 mm
Distances	From 55 to 100
Handle square hole	9 mm
Available spindles	7 mm, 8 mm, 8.5 mm, 9 mm and 10 mm
Cylinder profile apertures	Without (00), Euro (PZ), CH (RZ), UK (OZ)
Classification	DIN EN 1906:2012-12 4 7 -- B 0 3 0/3 B
Safety class	Optionally conformity to DIN EN 18257 ES2 or to NEN SKG***
CE testing	EN 300 220-1-2; EN 300 330-1-2; EN 301 489-1, 3; EN 60950-1, EN 62311