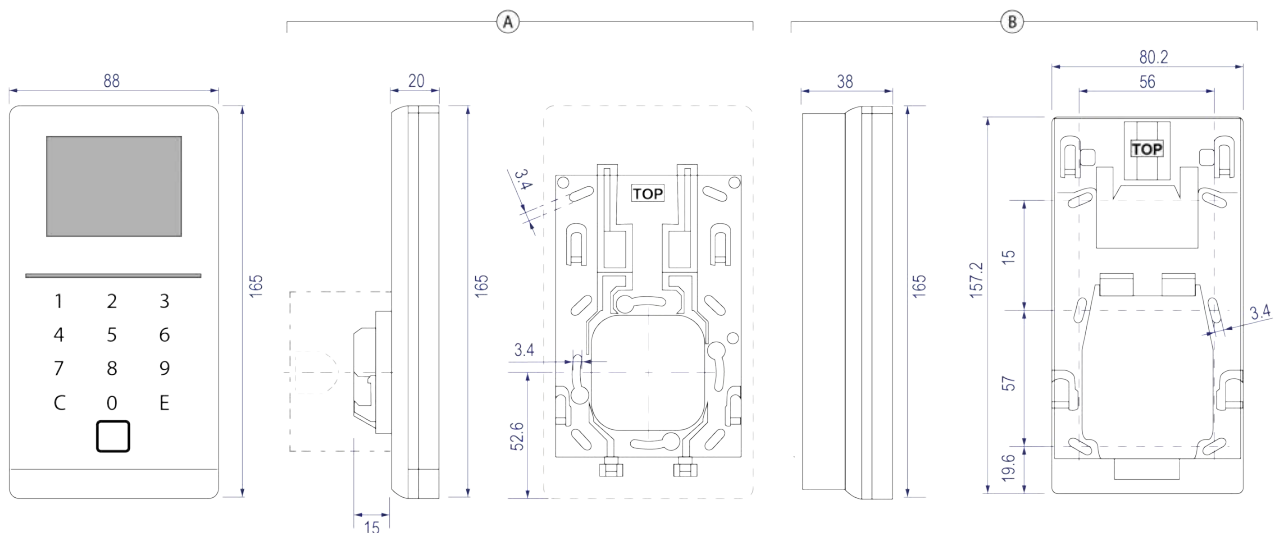


# CES AccessOne

Online reader

PHG Voxio Display-Reader



A = Flush-mounted

B= Surface-mounted

All dimensions in mm

## CES AccessOne

### Technical data

<b>Article designation</b>	Reader PHG Voxio Display (Art.-Nr. 348017V (Surface-mounted) / 348006V (Flush-mounted))
<b>Version</b>	Reader with colour display, 2.8 inch (320x240) / IPS
<b>Type</b>	Surface-mounted and flush-mounted housings made of plastic
<b>Operation</b>	Contactless with locking medium; capacitive keypad
<b>Connector type</b>	8-pin screw/plug-in terminal
<b>Tamper monitoring</b>	Detection of attempts to pull unit away
<b>Suitable locking media</b> (MIFARE version only)	MIFARE® Classic® (1k/4k), MIFARE® DESFire® EV2 (UID conforming to ISO14443 and application), all ISO14443 locking media (not MIFARE Ultralight® C)
<b>Reading range</b>	Approx. 30 mm
<b>Signalling</b>	3 LEDs, RGB multicolour backlit surface for keypad and icon (brightness adjustable), 1 loudspeaker for acoustic signal (frequency adjustable)
<b>Temperature range</b>	Storage temperature -30°C to +70°C Operating temperature -20°C to +60°C
<b>Prohibited atmospheres</b>	Not suitable for use in corrosive atmospheres (chlorine, ammonia, lime water)
<b>Protection class</b>	IP65
<b>Operating voltage</b>	8-30 V DC(with internal polarity reversal protection)
<b>CE approval</b>	EN 301 489-1; EN 300 330 v2.1.1; EN 62368-1; EN 50364; EN 301 489-3; EN 301 489-17