

CES OMEGA FLEX

Wall terminal

WT-I and WT-II

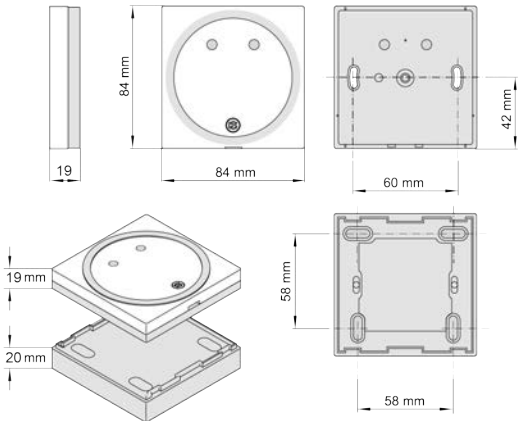


WT-I Reader and Controller in one housing

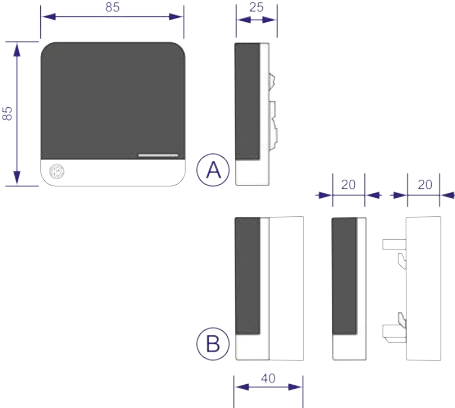


WT-II Reader and Controller in separate housings
(flush- / surface-mounted)

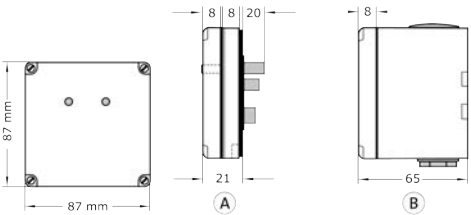
CES Standard housing OLD [discontinued]



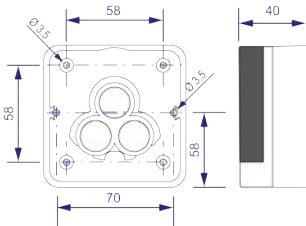
CES Standard housing NEW



Weatherproof housing OLD (IP55) [discontinued]



Weatherproof housing NEW (IP54)



A = flush-mounted B= surface-mounted

CES OMEGA FLEX Wall terminals WT-I and WT-II

Technical Data

Article name	CES OMEGA FLEX WT-I CES OMEGA FLEX WT-II
Suitable locking media	
LEGIC	All locking media of type LEGIC prime and LEGIC advant, all locking media ISO 14443, HID iClass Additionally, all those specified under “MIFARE”
MIFARE	MIFARE® Classic® (1k/4k), MIFARE® DESFire® EV1 and EV2 (UID conforming to ISO 14443 and application), all ISO 14443 locking media (not MIFARE Ultralight® C)
Reading range	Approx. 50 mm
Online radio frequency	868 MHz
Radio range to Access-Point	WT-I and WT-II: max. 25 m
Encrypted data transmission	128 bit/AES
Number of locking media	Max. 5.000
Number of events	Max. 2.000
Number of master media	Max. 1 System-Master, max. 10 Program-Master, max. 10 Time-Master, max. 10 Release-Master, max. 10 Block-Master, max. 10 RF-Stick-Masters, max. 100 Emergency-Keys, RF-Ini-Master unlimited, RF-Trace-Master unlimited
Opening duration	2 - 180 seconds, adjustable (optional) (standard: 10 seconds)
Temperature range	-25 °C to +70 °C at 0...95% rH non-condensing
Prohibited atmospheres	Not suitable for use in corrosive atmosphere (chlorine, ammonia, lime water)
Programming	With master media, offline with an RF-Stick, CESTronics Wireless online network; CESTronics V-NET virtual network
Connections (screw terminals)	1 x potential-free contact 1 x connection from controller to reader (RS 232 interface) (WT-II only) 1 x power supply 1x closing relay 1x changeover relay
Relay switching capacity	1.8 A; 30 VDC
Relay modes	Relay modes which can be set in the CESTronics Suite: Impulse The relay switches during the opening duration (with or without delay) Toggle The relay state will change after having read an authorised locking medium Dead-man The relay will switch as long as an authorised locking medium is held in front of it (with or without delay). Off The relay is not controlled (e.g. for validation terminals).
For WT-II: cable length for the connection between reader and controller	Max. 20 m, cable type J-Y(St)-Y 2 x 2 x 0.6 mm (or bigger than 0.6 mm) Max. 200 m with extension set 342288V
Operating voltage	12-24 V AC/DC
Power consumption	WT-I: 3 W WT-II: 5 W
Suitable housings	CES Standard, weatherproof housing (IP54), Mertens, Gira, Busch-Jäger, Behnke Telecom, Siedle VarioMore housings available upon request.
CE testing	EN 300 220-1, 2; EN 300 330-1, 2; EN 301 489-1, 3; EN 60950-1, EN 62311

Ordering information

Quantity	Article number	Variant	Housing	Designation