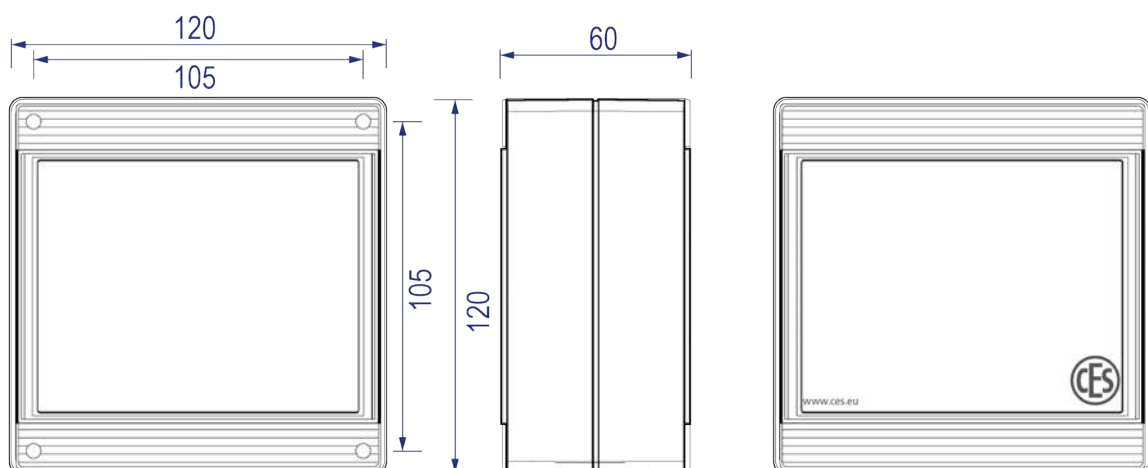


CES AccessOne

Door controller

TSG1 / SDC



All dimensions in mm

CES AccessOne – TSG1 / SDC

Equipment features

Item designation	Door controller TSG1 (Art.-Nr. 348008V)
Interfaces	2x RS485, 2x Wiegand
Input / Output	4 x IN / 2 x OUT
Max. current consumption at 12V	80 mA
Operating output, outputs 1–2 at 12V	Σ 2.0 A \pm 20% (active)
Operating output, readers 1 and 2 at 12 V	Σ 2.0 A \pm 20%
Communication	UDP port 10001
Prohibited atmospheres	Not suitable for use in corrosive atmospheres (chlorine, ammonia, lime water)
Protection class	IP30
Operating voltage	+12 V DC / PoE (IEEE 802.3af-2003– Power at terminal (PD) max. 12.95 W)

Relay outputs capacity, potential-free	
Max. switching power	60 W
Max. switching voltage	30 V DC
Max. switching current	2 A