

Protective dust cap

For CES profile cylinders*



Protect the mechanism and extend the service life

CES profile cylinders are used worldwide in a variety of environments. They are standard equipment for well-appointed office spaces, but are also used in more robust working environments such as in production areas and outdoor plants. Wherever dust or moisture can interfere with the mechanism, the protective dust cap provides reliable protection from external influences.

* For double cylinder (810/8710/8710F), knob cylinder (815) and single cylinder (851½) designs

Protective dust cap

Description of function

The new protective dust cap in Euro profile is positioned at the front on the locking cylinder. Two guided plastic sliders close the locking channel and protect it from dust, foreign bodies, insects, etc.

When the key is inserted, the sliders are moved to the side, opening up the locking channel.

Suitable for the following designs:

Double cylinder (810/8710/8710F), knob cylinder (815) and single cylinder (851½)

Embossing: Neutral

Certifications



Optional equipment

Anti-drilling and anti-pulling protection:

BS3, BS4 and BZ1

Finishes: MMVB, MMVG, MPV

Areas of application

- In marine environments (salt water, sand)
- Environments with changing climatic conditions due to the use of steam cleaners, chemical cleaning or in large kitchens (vapours)
- Environments with high dust levels such as sports facilities, timber-processing industry

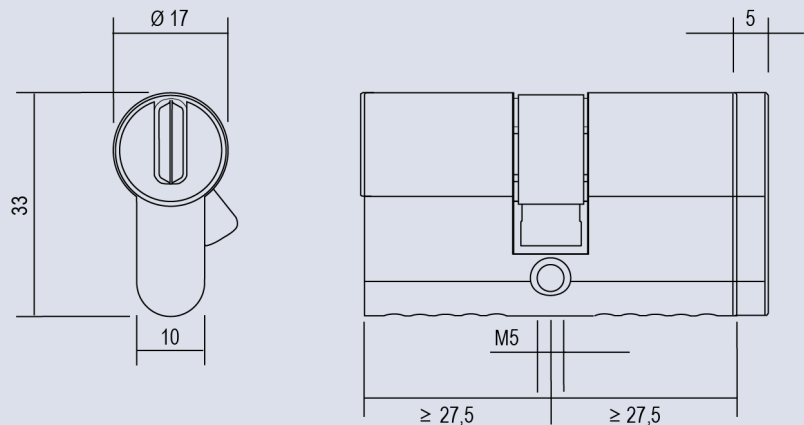
Important information

- Suitable for conventional key systems and horizontal reversible key systems (each from 2010)
- When measuring the cylinder length on doors, please note:
When the dust cap is present, the cylinder length is extended by 5.0 mm (see drawing)
- When ordering, specify 'ST-1' for single-sided and 'ST-2' for double-sided
- The previous dust cap will continue to be used for supplementary products, e.g. for cam cylinders and for Swiss, British or Scandinavian cylinders

Versions: Conventional



Versions: Reversible key system



Note:

The protective dust cap is 5.0 mm thick and must be added to the length of the cylinder housing.

When ordering, please specify the cylinder housing length without the protective dust cap(s).

See datasheet:

