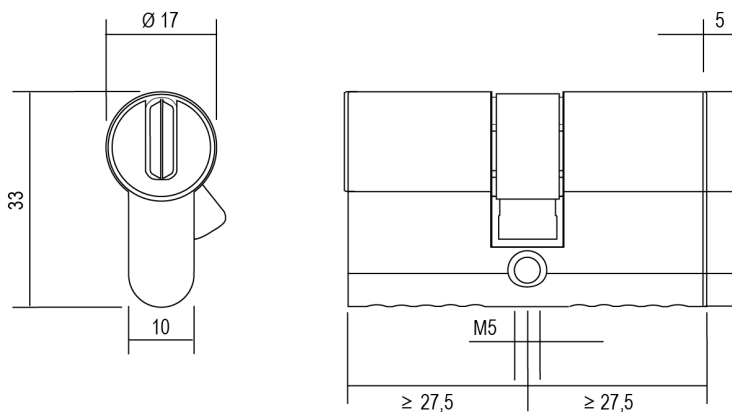


Protective dust cap

For CES profile cylinders*

Suitable for conventional key systems and horizontal reversible key systems (each from 2010)



Note
The protective dust cap is 5.0 mm thick and must be added to the length of the cylinder housing.
When ordering, please specify the cylinder housing length **without** the protective dust cap(s).

Features

| | |
|----------------------------------|--|
| Versions | ST-1 (single-sided); ST-2 (double-sided) |
| Available colourings: | MMVB, MMVG, MPV |
| Embossing | none |
| Drilling and drawing protection: | BS3, BS4 and BZ1 |
| IP protection class | IP 5X |

NOTE: When ordering, please specify the cylinder housing length **without** the protective dust cap(s).

* For double cylinder (810/8710/8710F), knob cylinder (815) and single cylinder (851½) designs