

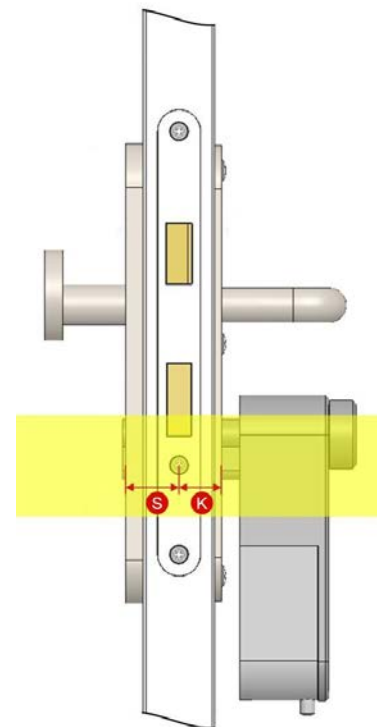
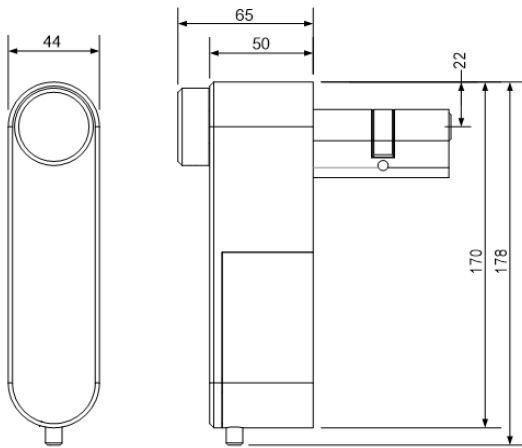
# CESeasy

## Motor cylinder



### Mechanical cylinder

Outside (S) / Inside (K)



# CESeasy - Motor cylinder

## Technical data

CESeasy motor cylinder	
<b>Article number</b>	Motorised cylinder: 347100V Complete package: EASY-xxx (xxx = profile range, e.g. WD5): Motor cylinder with mounted locking cylinder, 1 mechanical key, 5 digital keys, 1 remote control, 1 "lock management" function (5 years), door contact and connecting cable for door contact
<b>Material</b>	ABS, lacquered / anodized aluminium
<b>Locking cylinder</b>	Each state-of-the-art CES locking system, incl. 1 key
<b>Cylinder profile</b>	Euro profile (PZ); optionally Swiss round profile (22mm)
Power supply	
<b>Batteries</b>	6 x AA alkaline batteries
<b>Power input</b>	12 VDC / 2.5 A / stabilised
<b>Optional power supply unit</b>	347130V
Inputs and outputs	
<b>Sensor input</b>	Input for an optional door contact (347129V). A special cable is required (347110V). Set containing a door contact and a cable: 347128V Max. cable length: 30 cm
<b>Further inputs and outputs</b>	Available via the CESeasy communication module
RF-Transceiver	
<b>RF-Transceiver</b>	868 MHz, for remote controls and the communication module
<b>Bluetooth LE transceiver</b>	2.4 GHz, to communicate with mobile phones
<b>Encryption</b>	AES128
Memory / capacity	
<b>Number of digital keys</b>	600 access group (1 access group = max. 65,000 employee keys, or 1 digital key, or 1 remote control)
<b>Encryption</b>	AES128
Service life	
<b>Service life</b>	Min. 200.000 operations (at 20°C), in accordance with SKG
<b>Battery service life</b>	Approx. 7,500 operations (2 turns, latch and deadbolt, 1 Nm, at 20°C) in one year
Environment	
<b>Device environment</b>	The device side equipped with motor is suitable for indoor use only
<b>Operating temperature</b>	0 ... + 50°C
<b>Humidity during operation</b>	5 ... 90%, non-condensing
<b>Unsuitable climates</b>	Do not use in corrosive environments (chlorine, ammonia, lime water)
Tests and certificates	
<b>Safety class</b>	SKG***
<b>CE label</b>	NEN EN 300330-02, NEN EN 301489-03
Control and operation	
<b>Mobile phone</b>	Compatible Apple device with BLE and iOS 9.2 or higher Compatible* Android device with BLE and Android 4.4 or higher

\* Due to the vast number of different Android phones and versions, testing the compatibility of a particular Android device is recommended.