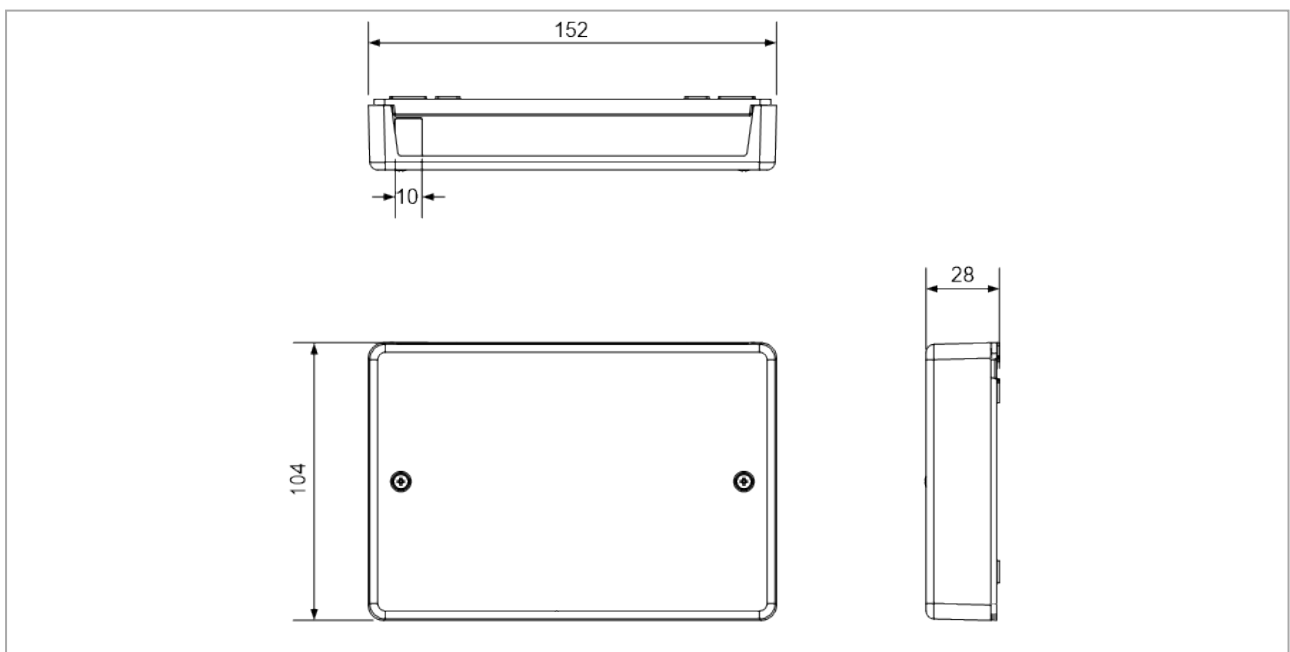
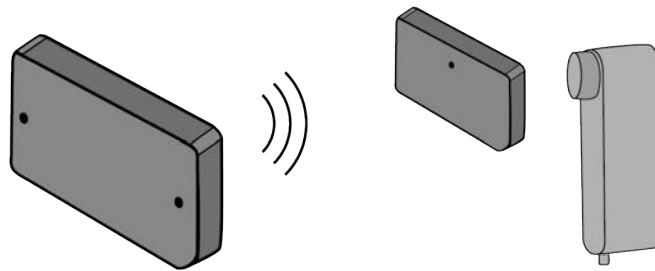


CESeasy

Communication module



CESeasy - Communication module

Technical data

CESeasy communication module	
Article number	347102V
Dimensions	152 mm x 104 mm x 28 mm
Material	ABS, black
Power supply	
Power input (screw connector)	5 ... 12 VDC / 100 mA / stabilised
Power supply unit	A suitable plug-in power supply (Euro plug) is included in delivery
Emergency power supply	2 x AA alkaline or lithium batteries
Inputs and outputs	
Inputs (screw connectors)	4 inputs with standard assignment
Outputs (screw connectors)	6 outputs with standard assignment Maximum load 28V / 150 mA
RF-Transceiver	
RF-Transceiver	868 MHz for wireless communication with compatible CESeasy devices
Encryption	AES128
Service life	
Battery service life without power supply unit	Max. 4 days at 20°C, low temperatures shorten the battery life
Environment	
Device environment	The product is intended for indoor use only
Operating temperature	0 ... + 50°C
Humidity during operation	5 ... 90%, non-condensing
Unsuitable climates	Do not use in corrosive environments (chlorine, ammonia, lime water)
Tests and certificates	
CE label	NEN EN 300330-02, NEN EN 301489-03